

»G« Series

GK 11–GK 33

Symbol



Product features

- Rotary switch can be turned 90°, lockable.
- The valve is used to switch off the air supply and is normally installed upstream of a pressure regulator, filter regulator or service unit.
- When the valve is closed, the residual air on the P2 side is discharged into the atmosphere through the relief port on the bottom.

Specifications / Technical data

Art. No.	Size 200			Size 400	
	GK 11	GK 12	GK 13	GK 32	GK 33
Fluid	Air				
Port size	1/4"	3/8"	1/2"	3/8"	1/2"
Exhaust port size	3/8"			1/2"	
Acting type	Manu				
Valve type	3 port 2 way				
Pressure range	0 to 9 bar (0 to 0.9 MPa, 0 to 130 psi)				
Proof pressure	15 bar (1.5 MPa, 215 psi)				
Temperature range	-20 to 70 °C				
Operation angle	90°				
Suitable F.R.L type	Suitable for all components of »G« series				
Flow rate measurement at P ₁ = 8 bar, P ₂ = 6 bar and pressure drop Δp = 1 bar	1600 L/min	2500 L/min		6200 L/min	

Ordering information

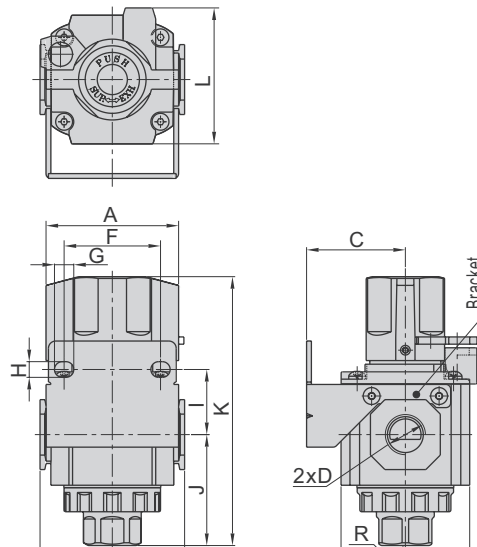
Art. No.	Type
GK 11–GK 13, GK 32, GK 33	3/2-shut-off valve, with »HW« mounting bracket and padlock

»G« Series

GK 11–GK 33

Body dimensions

GK 11–GK 33

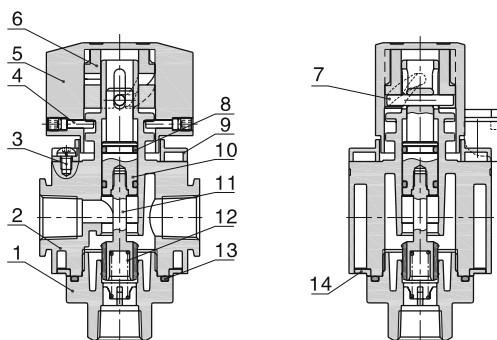


Art. No.	A	B	C	D	E	F	G	H	I	J	K	L	R
GK 11	55	60	41	1/4"	53.4	40	8	6.5	27	46	112.5	56.5	3/8"
GK 12				3/8"									
GK 13				1/2"									
GK 32	65	75	50	3/8"	64	55	11	8.5	33.5	58.5	134	66	1/2"
GK 33				1/2"									

(Values in mm, exception D, R = inch)

Components and materials

GK 11–GK 33







No.	Item	Material
1	Valve cap	Aluminium alloy ADC 10
2	Body	Aluminium alloy ADC 10
3	Screw	Steel SCM 435
4	Operating screw	Steel S35C
5	Adjusting screw	POM
6	Special screw	PA66
7	Fixing plate	Steel S35C
8	O-ring	NBR
9	Cover	POM
10	Spool	Steel
11	Plug	Brass & NBR
12	Spring	Stainless steel
13	O-ring	NBR
14	Cover	POM

»G« Series

GK 11–GK 33

Accessories

	For GK 11–GK 13	For GK 32, GK 33	Type
	Art. No.	Art. No.	
	UB 300	UB 400	Joiner without wall mounting
	LB 300	LB 400	Joiner with wall mounting, 1 drilled hole
	TB 300	TB 400	Joiner with wall mounting, 2 drilled holes
	HW 301	HW 401	Mounting bracket, incl. 4 screws

(Pictures similar to product.)