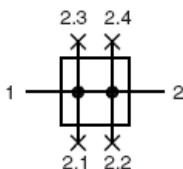




Distributor

Size 2

FU 943		FU 944	
G 3/8		G 1/2	
16 bar			
			

Description

- X-distributor for separate air relief (e.g. unlubricated air) from interconnected devices
- Top part with flange connection for mechanical pressure switch

Characteristics

Type	FU 943	FU 944
Port (thread)	G 3/8 (optional: NPT)	G 1/2 (optional: NPT)
Type of construction	X-distributor	
Medium	Compressed air, neutral gases	
Mounting position	Any	
Temperature Medium / ambient	Max. 50°C	
Input pressure P ₁	Max. 16 bar	
Nominal flow 1→2	QN = 7250 l/min	
Flow direction (bottom) 1→2.1	QN = 5500 l/min	
Flow direction (top) 1→2.3	QN = 2250 l/min	
Flow direction (front) 1→2.2	QN = 2250 l/min	
Flow direction (rear) 1→2.4	QN = 2250 l/min	
Weight	0.320 kg	
Mounting type	Bracket, wall mounting	

Materials

Part	Material
Head piece	IXEF1022®
Cover	Schulaform® (POM)
Threaded plate	Die-cast zinc
Seals	NBR

Ordering information

- The valves are delivered in single packs
- Moulded seal for mounting pressure switch included

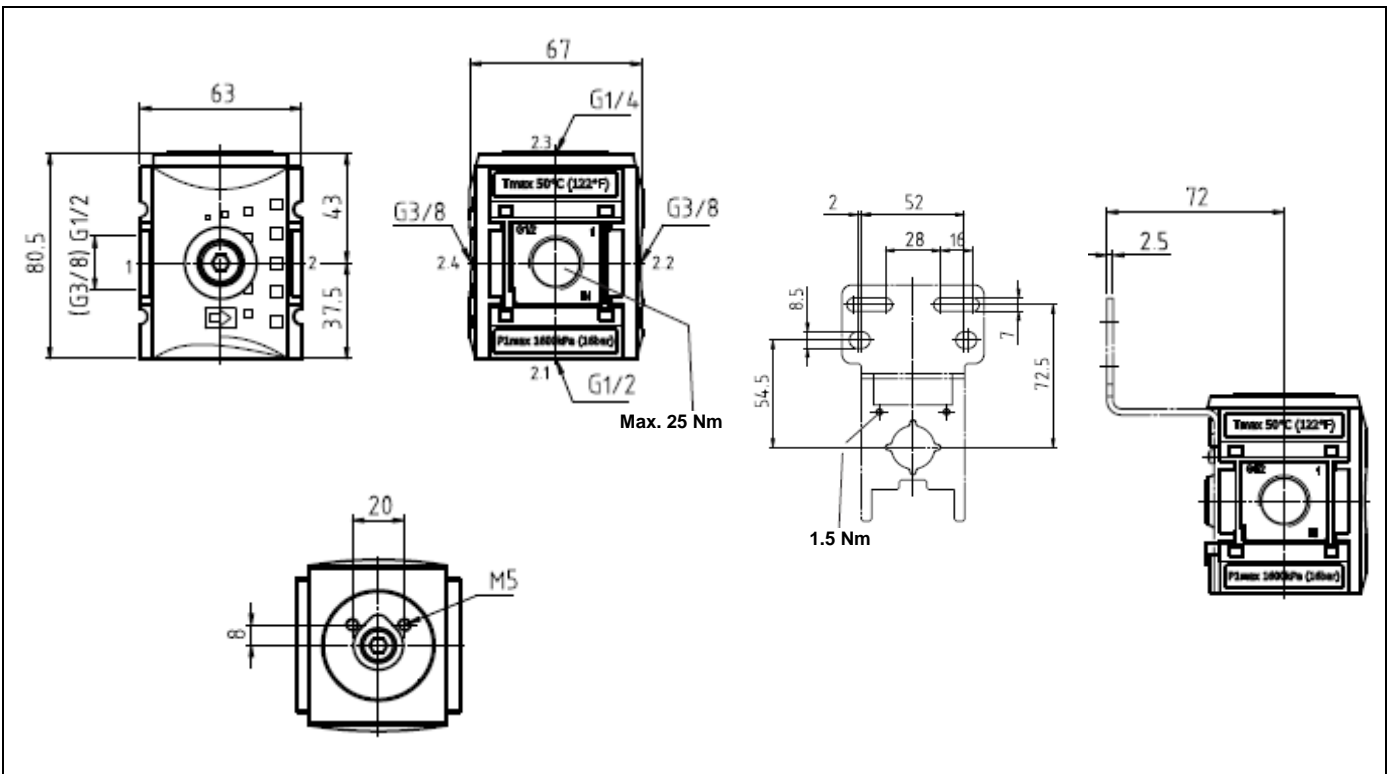
Accessories

Designation	Art. No.
Mounting bracket, incl. screws	H 852
Wall bracket, incl. screws	WK 102
Joiner set, incl. screws	KP 200

Standards and directives

98/37/EC (PED)	Scope: Art. 3, Section 3 Unmarked (acc. to Annex II, Diagram 2, Art. 3, Section 3 is applicable)
ISO 4414	(Pneumatic fluid power – General rules and safety requirements for systems and their components)

Dimensions



Applications

Typical application with flanged pressure switch

