

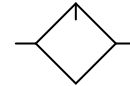


Oil-mist lubricators

Size 2

VN 24 VN 25 VN 26

G 1/2
G 3/4
G 1 (Mounting plates)



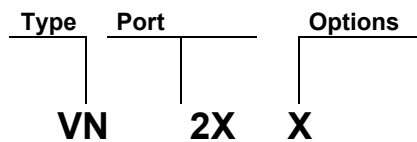
Characteristics

Typ	VN 24	VN 25	VN 26
Port	G 1/2	G 3/4	G 1
Type of construction	Proportional oil-mist lubricator		
Input pressure p_1	Max. 16 bar with plastic bowl Max. 20 bar with metal bowl		
Mounting position	Vertical, metering unit at top		
Mounting type	Holder (device rear)		
Medium temperature	Max. 50 °C		
Ambient temperature	Max. 50 °C (polycarbonate bowl) Max. 80 °C (metal bowl)		
Oil grade	DIN 51524 – ISO VG 32		
Lubricator function (start of delivery)	From 150 l/min		
Usable bowl capacity	Max. 125 cm ³		
Oil filling	Manual, during operation		
Weight [g]	800		

Materials

Part	Material
Head piece (body)	Z 410
O-ring	NBR
Sight dome (metering unit)	PA
Plastic bowl	Polycarbonate
Front plates	ABS

Ordering information

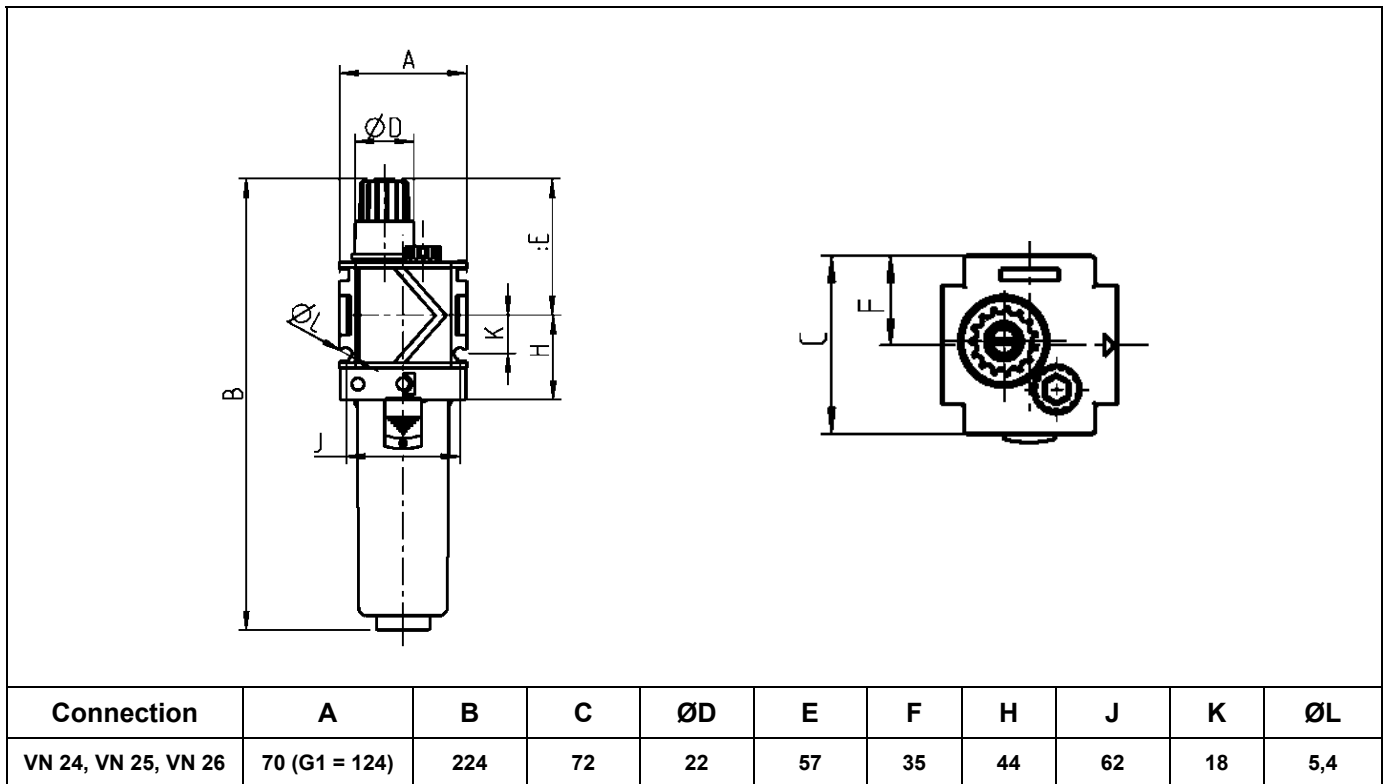


Port	
X = 4	G 1/2
X = 5	G 3/4
X = 6	G 1
Options	
X = S	Bowl guard
X = M	Metal bowl
Order example: VN 24 M	

Options
NPT - thread

Description
- Block design - Flow direction indicated by arrow on front plate - >M< type: Metal metering unit included

Standards and directives	
97/23/EC (PED)	Scope: Art.3, Section 3 Unmarked (acc. to Annex II, Diagram 2, Art. 3, Section 3 is applicable)
94/9/EC (ATEX)	Zone 2 (Gas-Ex, Category 3G), explosion groups IIA und IIB Zone 1 (Gas-Ex, Category 2G), explosion groups IIA und IIB

Dimensions [mm]

Accessories

Mounting bracket	VZ 719
Polycarbonate bowl	VZ 602
Metal bowl	VZ 652
Mounting plates	VZ 500

Main spare parts

Part	Part No.
Sight dome	
- Plastic	VZ 721
- Metal	1412.7.909

Flow rates

		VN 24	VN 25	VN 26
Nominal flow p_2 6 bar / Δ 1 bar	QN [l/min]	4600	7500	7500

Mounting plates G 1 >>VZ 500<<
