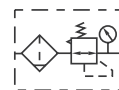




»GA-mini« Series

GAC 05, GAC 06

Symbol



Product features

- Reversible diaphragm pressure regulators, independent of inlet pressure, with self-relieving design, combined with a centrifugal separator.
- The pressure setting can be locked by pushing the button down.

Specifications / Technical data

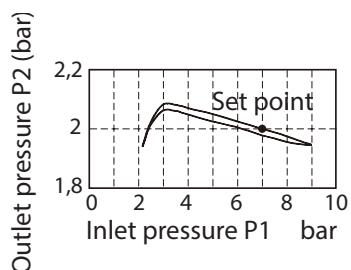
Type	Size 200	
	GAC 05	GAC 06
Fluid	Air	
Port size	1/8"	1/4"
Filtering grade	5 µm (40 µm on request)	
Pressure range	1.5 to 9 bar (0.15 to 0.9 MPa, 20 to 130 psi)	
Inlet pressure	10 bar (1.0 MPa, 145 psi)	
Temperature range	-5 to 70 °C	
Capacity of drain bowl	18 cm ³	
Weight	236 g	

Ordering information

Type	description
GAC 05, GAC 06	Filter regulators with polycarbonate bowl and »HW« mounting bracket, semi-automatic drain valve

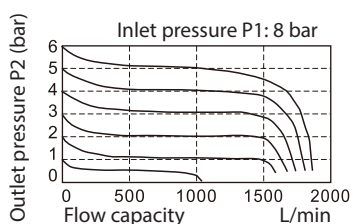
Pressure chart

GAC 05, GAC 06



Flow chart

GAC 05, GAC 06

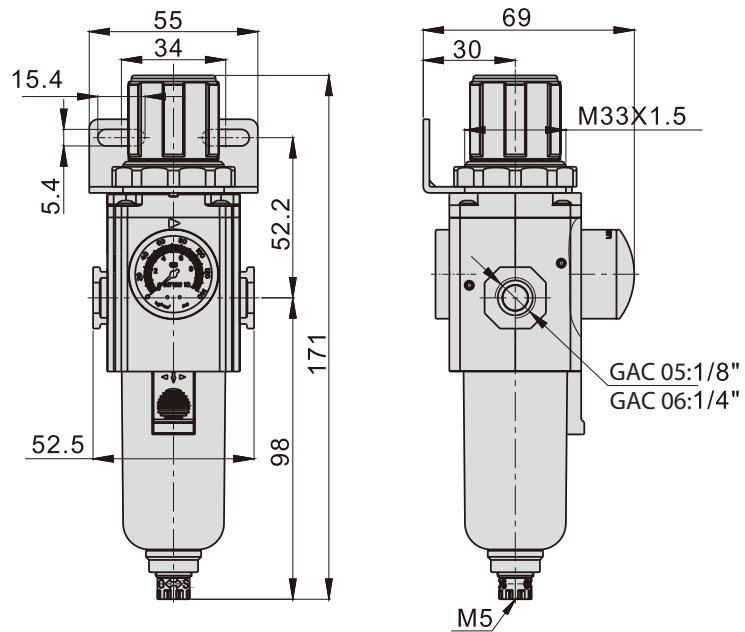


»GA-mini« Series

GAC 05, GAC 06

Body dimensions

GAC 05, GAC 06

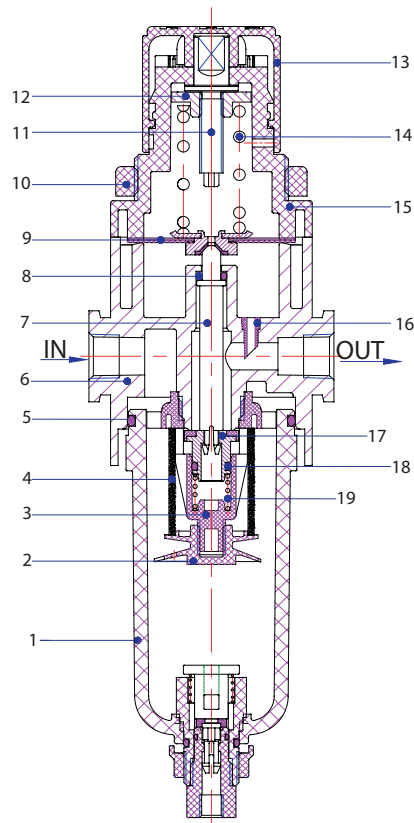


»GA-mini« Series

GAC 05, GAC 06

Components and materials







No.	Item	Material
1	Drain bowl	PC
2	Umbrella baffle	POM
3	Air guider	POM
4	Filter core	HDPE
5	O-ring	NBR
6	Body of filter & regulator	Aluminum alloy
7	Adjusting spool	POM
8	O-ring	NBR
9	Diaphragm	NBR
10	Fixation ring nut	POM
11	Adjusting spindle	Steel
12	Regulator nut	Steel
13	Pressure adjusting knob	POM
14	Spring	Spring steel
15	Adjusting Seat	POM
16	Feedback tube	POM
17	Adjusting plug	Brass & NBR
18	O-ring	NBR
19	Spring	Spring steel



»GA-mini« Series

GAC 05, GAC 06

Accessories

	Art. No.	Type	description
no image available	179140	GAR 05 120	Adapter plate for mounting standard pressure gauges
	101672	110.46-KD	Standard pressure gauges
	179145	GAF 05 400	Filter element 5 µm
	116480	HW 200	Mounting bracket
	116612	UB 200	Joiner without wall mounting
	116515	LB 200	Joiner with wall mounting, 1 drilled hole
	116608	TB 200	Joiner with wall mounting, 2 drilled holes