



FU 7158

Pressure regulator

Standard type

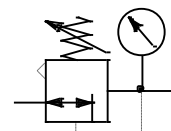
Size 2

FU 7151 to FU 7186

G 3/8

G 1/2

0.1 to 1.0 bar
0.1 to 2.0 bar
0.2 to 4.0 bar
0.5 to 8.0 bar
0.5 to 10.0 bar
0.5 to 16.0 bar



Description

Pressure regulator in the »FUTURA« series.

Pressure regulator facilitate a fine pressure setting and guarantee a constant supply with the required working pressure.

The regulators should only be used with filtered media (filter rating 50 µm).

Characteristics

Type	FU 7151 to FU 7166	FU 7171 to FU 7186
Port (thread)	G 3/8	G 1/2
Type of construction	- Diaphragm pressure regulator with self-relieving design	
Medium	Compressed air, neutral gases	
Mounting position	Any	
Temperature Medium / ambient	Max. 50 °C	
Input pressure Pin	Max. 16 bar	
Control range (output pressure)	0.1 to 1.0 bar / 0.1 to 2.0 bar / 0.2 to 4.0 bar / 0.5 to 8.0 bar / 0.5 to 10.0 bar / 0.5 to 16.0 bar	
Mounting type	Bracket, wall mounting, panel mounting	
Weight [kg]	0.540 without pressure gauge / 0.610 with pressure gauge	

Materials

Part	Material
Spring bonnet / adjusting knob	POM
Head piece	PA66 GF60
Diaphragm	Brass-NBR-PA6
Valve cone	Brass-NBR
O-ring 37.5 x 2.5	NBR
Cover (bottom screw)	POM
Threaded plate	Die-cast zinc

Ordering information

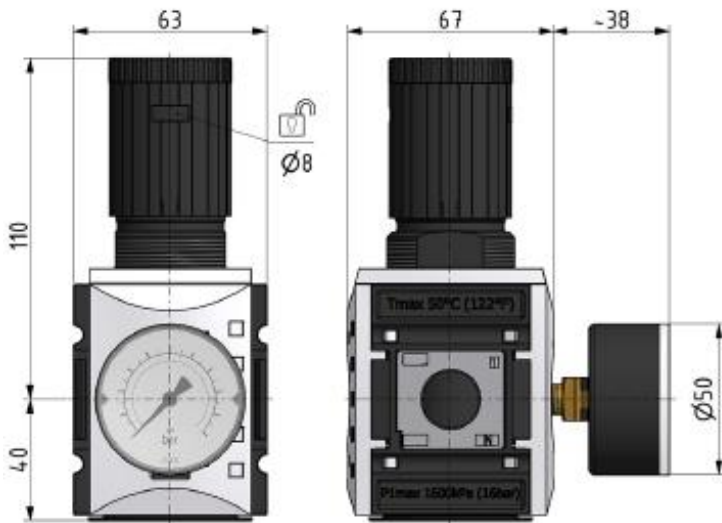
- The pressure regulators are delivered in single packs.
- Pressure gauge included.

Accessories / Spare parts

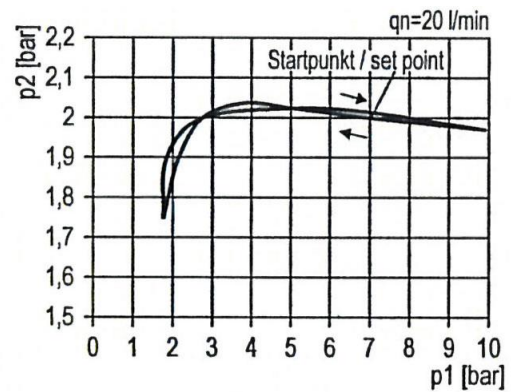
Designation	Art. No.
Mounting bracket, incl. screws	H 852
Joiner set with wall bracket	WK 102
Joiner set	KP 200
Panel nut	FU 33-55
Key lock	SS 32

Accessories / Spare parts

Designation	Art. No.
Seal kit	22.7180.4
Mounting bracket with control panel nut	H 853
Wall bracket with connection thread G 3/8	WK 102-38
Wall bracket with connection thread G 1/2	WK 102-12
Wall bracket with connection thread G 3/4	WK 102-34

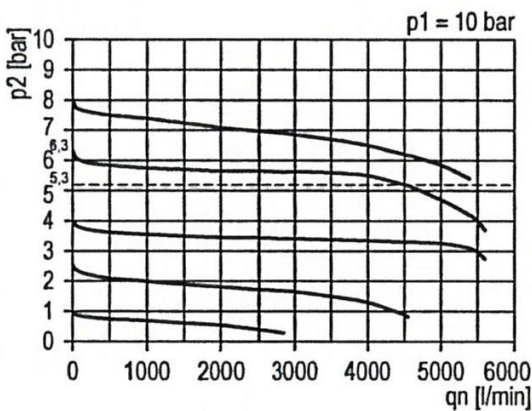


Hysteresis



Flow rates

Flow characteristic – G 3/8



Flow characteristic – G 1/2

