



Pressure regulator

Size 1

Pressure supply at both ends

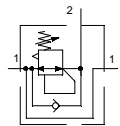
VRB 22...VRB 24

G 1/4

VRB 32...VRB 34

G 3/8

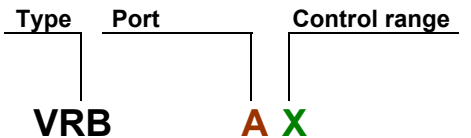
0.5 to 6 bar
0.5 to 10 bar
0.5 to 16 bar



Characteristics

Type	VRB 22...VRB 24
Port	G 1/4
Type	VRB 32...VRB 34
Port	G 3/8
Type of construction	Diaphragm pressure regulator - Independent of inlet pressure - Reversible
Input pressure p_1	Max. 25 bar
Control range	0.5 to 6.0 bar 0.5 to 10.0 bar 0.5 to 16.0 bar
Mounting position	Any
Mounting type	Bracket Panel mounting, hole \varnothing 30.5
Medium temperature Ambient temperature	Max. 80 °C
Weight [g]	390 (without gauge)

Ordering information



Port	
A = 2	G 1/4
A = 3	G 3/8
Control range	
X = 2	0.5 to 6.0 bar
X = 3	0.5 to 10.0 bar
X = 4	0.5 to 16.0 bar
Order example: VRB 33	
Pressure gauge included	

Description

- Block design

On request

- Front plates with private label

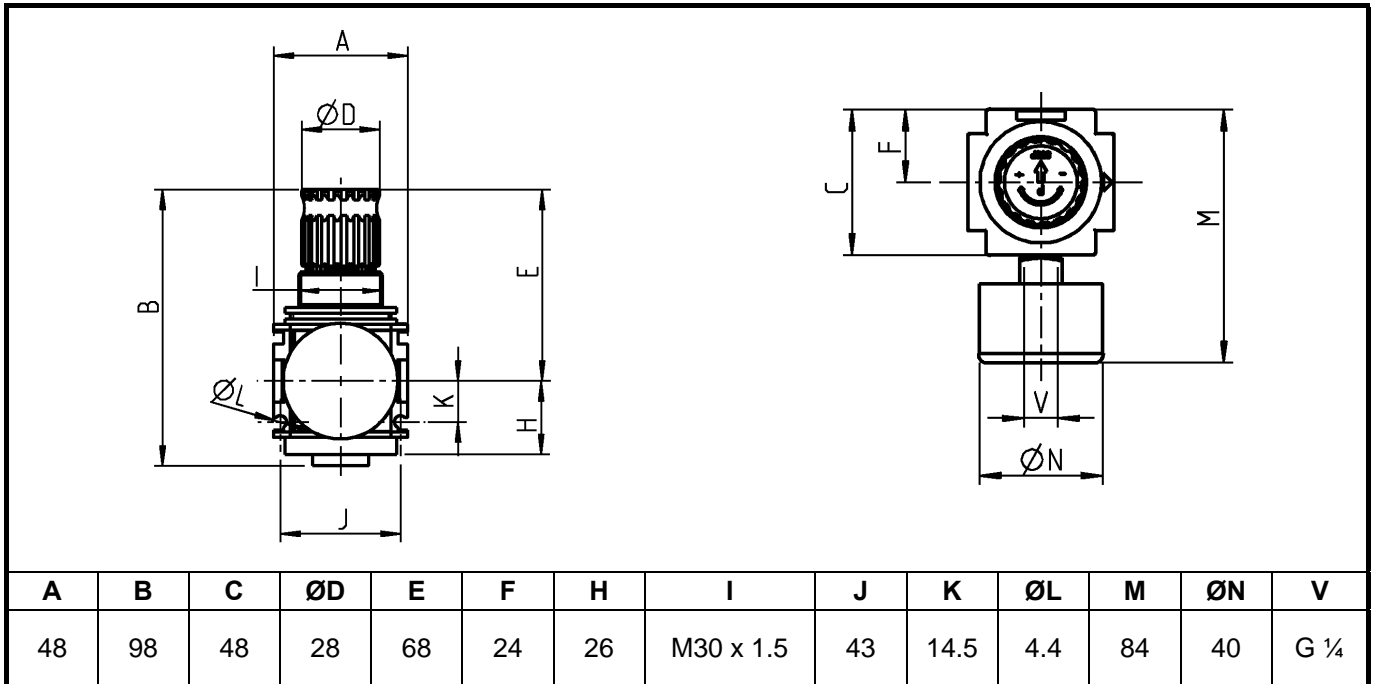
Materials

Part	Material
Head piece (body)	Z 410
Spring bonnet / adjusting knob	PA 6 / POM
O-rings	NBR
Diaphragm	NBR / brass
Pressure pin	NBR / brass
Front plates	ABS

Accessories

Mounting bracket	630/1-B
Block mounting with other devices	
Compact joiner set G 1/4	VZ 101
Compact joiner set G 3/8	VZ 102
Pr. gauge (replacement)	
- 6 bar	110.02-KD
-10 bar	110.03-KD
-16 bar	110.04-KD

Dimensions [mm]



VRB 2X

VRB 3X

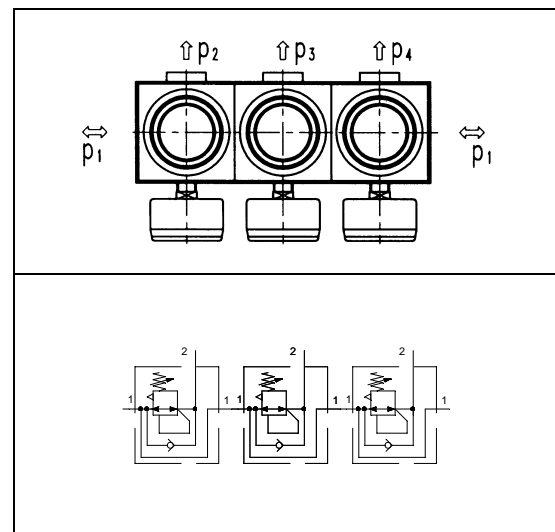
Main spare parts

Part	Part No.
Consumable kit (valve cone / diaphragm)	VZ 781

Flow rates

Nominal flow	VRB 22	VRB 23	VRB 24
p_2 6 bar / Δ 1 bar	1800	1800	1800
QN [m ³ /h] [l/min]	1800	1800	1800

Applications



© Riegler 2-23-1