



Constant-pressure regulator

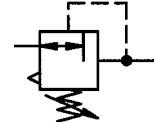
Size 1

737.301 to 737.314

G 1/4 (red.)

G 3/8

- 0.5 to 3 bar
- 0.5 to 6 bar
- 0.5 to 10 bar
- 0.5 to 16 bar



Characteristics

Order No.	737.311	737.312	737.313	737.314
Port	G 3/8			
Order No.	737.301	737.302	737.303	737.304
Port	G 1/4 (reduced)			
Pressure gauge port	G 1/4			
Type of construction	Diaphragm pressure regulator with self-relieving design			
	Special versions on request e.g. - Reverse flow port closed			
Max. input pressure p ₁	25 bar			
Control range p ₂	0.5 to 6 bar / 0.5 to 10 bar / 0.5 to 16 bar / 0.5 to 25 bar			
Mounting position	Any / note direction of arrow			
Mounting type	Panel mounting, hole Ø20.5 Bracket			
Medium temperature	-10 to 60°C			
Ambient temperature	-10 to 90°C			
Weight [g]	950 / 1090 with pressure gauge			

Description

- Standard design
- Double nipples (G 3/8) required for block mounting with other devices
- Pressure setting by means of adjusting screw with plastic knob, setting can be locked with lock nut
- Flow direction indicated by arrows
- **Entry in direction of arrow**
- Working pressure remains virtually **constant, regardless** of system pressure fluctuations and air consumption
- Pressure gauge Ø63 included, can be mounted at both ends
- Panel mounting with nut and washer on cover
- Wall mounting with mounting bracket on cover

Materials

Part	Material
Head piece (body)	Zinc - Z 410
Spring bonnet/adjusting screw	Zinc - Z 410/brass
Diaphragm →	NBR-brass
Pressure spring	Galvanised steel
Valve cone →	NBR-brass
Counter-pressure spring	Stainless steel
O-ring 28 x 2 →	NBR

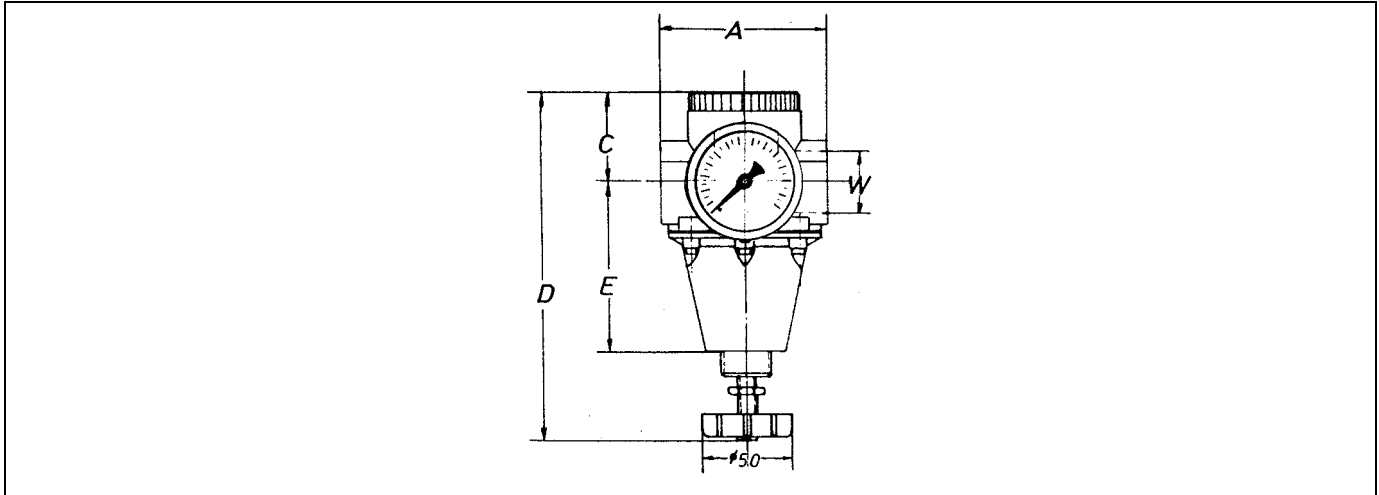
Accessories

Designation	Order No.
Nut M 20 x 1.5 and washer	74/1
Mounting bracket with nut and washer	75/2
Double nipple G 3/8 (R 3/8 conical) for block mounting with other devices	MS2523838
Reducing nipple G 3/8 male to G 1/4 female	MS251K3814

Main spare parts

Part	Part No.
→ Set of wearing parts - Diaphragm, compl. - Valve cone, compl. - O-ring 28 x 2	22.733.4
Pr. gauge Ø63, G 1/4 0 to 4 bar	215-KD
0 to 6 bar	216-KD
0 to 10 bar	217-KD
0 to 16 bar	218-KD

Dimensions



Dimensions [mm]

Port W	Dimensions					Mounting thread	Pr. gauge	
	A	C	D	E	Adj. knob \varnothing		\varnothing	\varnothing
G 3/8	70	33	165	78	50	M 20 x 1.5	G 1/4	63
G 1/4 (red.)	77	33	165	78	50	M 20 x 1.5	G 1/4	63

Flow rates

Flow rates at $p_1 > p_2 + 2$ bar / G 3/8 port

Art. No.		737.301	737.302	737.303	737.304
		737.311	737.312	737.313	737.313
Output pressure $p_2 = 6$ [bar]	QN m ³ /h	180	150	120	96
Nominal flow ($\Delta p = 1$ bar)	QN l/min	3000	2500	2000	1600