



Pressure regulating valve

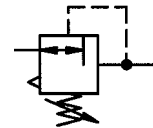
Size 4

637.50 A to 637.55

G 1¼

G 1½

0.1 to 3 bar
0.5 to 10 bar
0.5 to 16 bar



Characteristics

Order No.	637.55 A	637.55 C	637.55 D
Port	G 1½		
Order No.	637.50 A	637.50 C	637.50 D
Port	G 1¼		
Pressure gauge port	G 1/4		
Type of construction	Diaphragm pressure regulator with self-relieving design		
	Special versions on request e.g. - Reverse flow port closed		
Max. input pressure p ₁	25 bar		
Control range p ₂	0.1 to 3 bar / 0.5- to 10 bar / 0.5 to 16 bar		
Mounting position	Any / note direction of arrow		
Mounting type	Bracket		
Medium temperature	Max. 60°C		
Ambient temperature	Max. 80°C		
Weight [g]	2500 / 2600 with pressure gauge		

Description

- Standard design
- Double nipples (G 1½) required for block mounting with other devices
- Pressure setting by means of adjusting screw with rotary switch
- Setting can be locked with lock nut
- Flow direction indicated by arrows
- **Entry in direction of arrow**
- Virtually independent of inlet pressure
- Pressure gauge Ø63 included, can be mounted at both ends
- Wall mounting with mounting bracket on cover

Materials

Part	Material
Head piece (body)	Al
Spring bonnet/adjusting screw	Al/brass
Diaphragm →	NBR-brass
Pressure spring	Galvanised steel
Valve cone →	NBR-brass
Counter-pressure spring	Stainless steel
O-ring 50 x 4 →	NBR

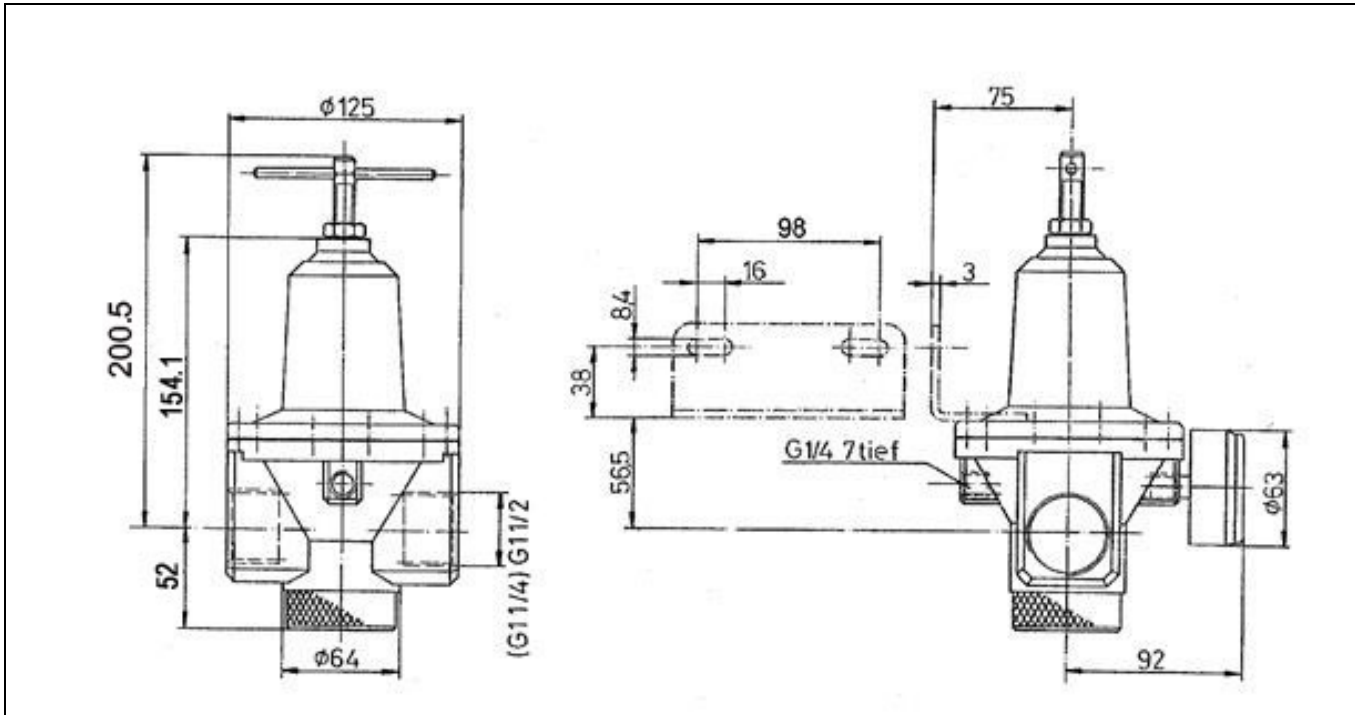
Main spare parts

Part	Part No.
→ Set of wearing parts	22.605.4
- Diaphragm, cmpl.	
- Valve cone, cmpl.	
- O-ring 50 x 4	
Pr. gauge Ø63, G 1/4	
0 to 4 bar	215-KD
0 to 16 bar	218-KD
0 to 25 bar	219-KDB

Accessories

Designation	Order No.
Mounting bracket	H 86
Double nipple G 1½ for block mounting with other devices	252.07/4-N
Reducing nipple G 1½ male to G 1¼ female	251.12-N

Dimensions [mm]



Flow rates

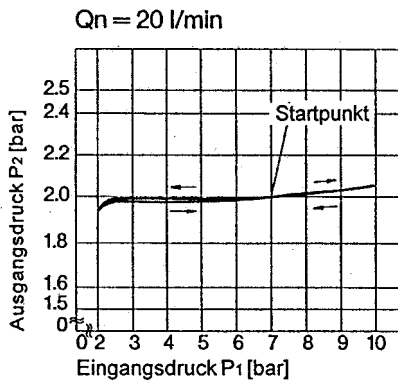
Flow rates at $p_1 = 8 \text{ bar}$

Art. No.		637.50 A 637.55 A	637.50 C 637.55 C	637.50 D 637.55 D
Output pressure $p_2 = 6 \text{ [bar]}$	QN m^3/h	990	990	990
Nominal flow ($\Delta p = 1 \text{ bar}$)	l/min	16500	16500	16500

Hysteresis

Hysteresis of p_2 as a function of rising (falling) p_1 at a constant draw-off rate QN 20 l/min

Basic setting (starting point): $p_1: 7.0 \text{ bar}$
 $p_2: 2.0 \text{ bar}$



Flow characteristic

Control range 0.5 to 10 bar

