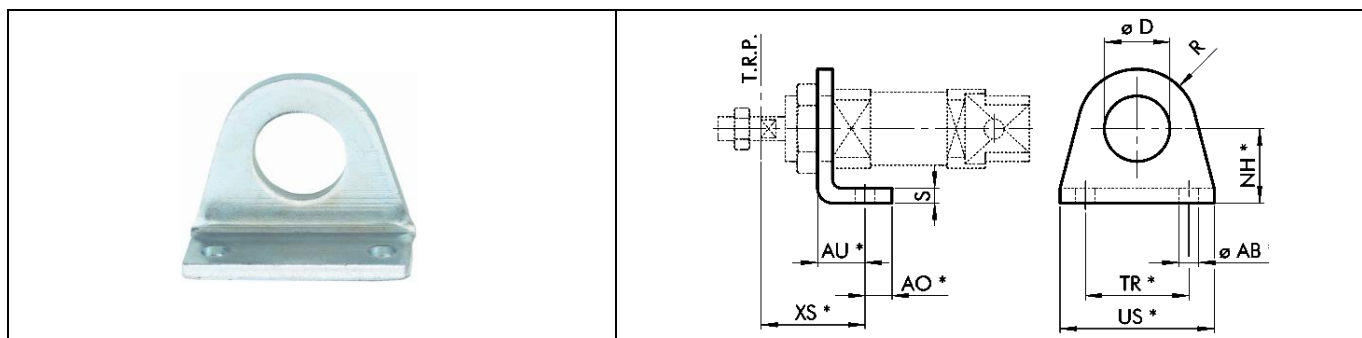
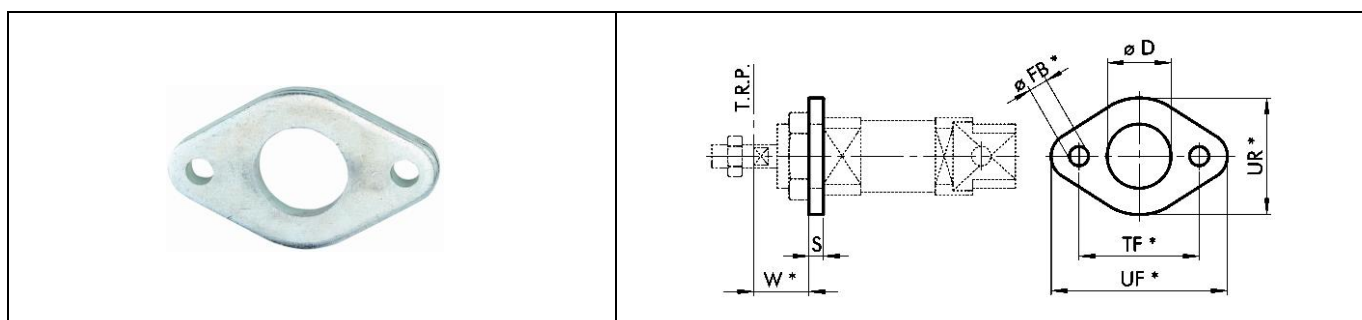


Fixing parts and accessories
Round cylinders $\varnothing 8$ to $\varnothing 25$
Foot
Dimensions [mm]

Type No.	Art. No.	Piston \varnothing	D	XS (± 1.4)	AU	AO	NH (± 0.3)	TR (JS14)	US	AB (H13)	R	S	Weight [g]
435.11-M	105840	8 10	12	24	11	5	16	25	35	4.5	10	3	22
435.12-M	105730	12 16	16	32	14	6	20	32	42	5.5	13	4	42
435.13-M	105731	20 25	22	36 40	17	8	25	40	54	6.5	20	5	90


Flange model
Dimensions [mm]

Type No.	Art. No.	Piston \varnothing	D	W (± 1.4)	FB (H13)	TF (JS14)	UF	UR	S	Weight [g]
435.01-M	105841	8 10	12	13	4.5	30	40	22	3	10
435.02-M	105732	12 16	16	18	5.5	40	52	30	4	26
435.03-M	105733	20 25	22	19 23	6.5	50	66	40	5	52



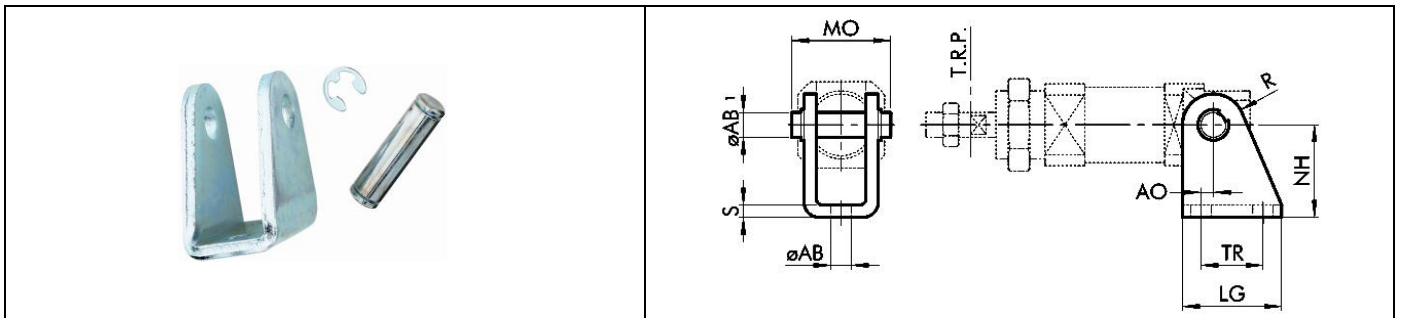
Fixing parts and accessories

Round cylinders Ø 8 to Ø 25

Counter-hinge model

Dimensions [mm]

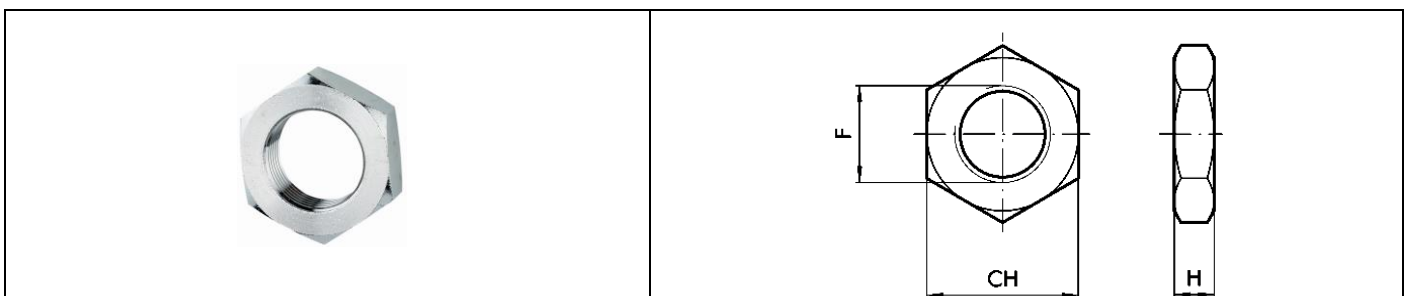
Type No.	Art. No.	Piston Ø	AO	LG	TR(JS13)	NH(±0.2)	MO	AB1	AB (H13)	R	S	Weight [g]
435.21-M	105846	8 10	2.5	22	12.5	24	18	4	4.5	6	2.5	24
437.21-M	105745	12 16	2	25	15	27	25	6	5.5	7	3	40
437.22-M	105746	20 25	4	32	20	30	30	8	6.5	10	4	78



Head nut for cover / base

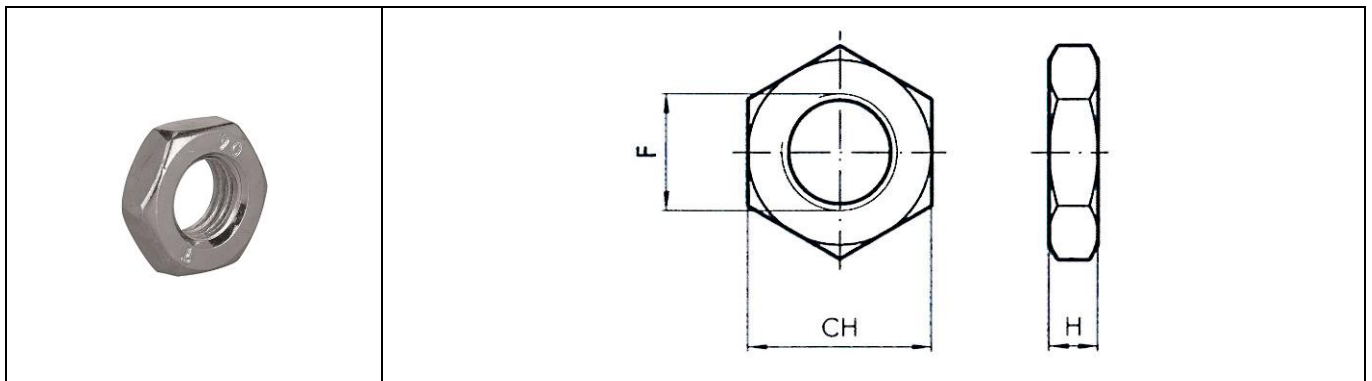
Dimensions [mm]

Type No.	Art. No.	Piston Ø	F	CH	H	Weight [g]	Material
435.51-M	105842	8 10	M12x1.25	19	7	12	Brass
435.52-M	105734	12 16	M16x1.5	24	8	20	Brass
435.53-M	105735	20 25	M22x1.5	32	7	44	Brass



Fixing parts and accessories
Round cylinders Ø 8 to Ø 25
Piston rod nut
Dimensions [mm]

Type No.	Art. No.	Piston Ø	F	CH	H	Weight [g]	Material
436.30-M	105843	8 10	M4	7	3	0.6	Steel
436.31-M	105736	12 16	M6	10	4	1	Steel
436.32-M	105737	20	M8	13	5	3	Steel
436.33-M	105738	25	M10x1.25	17	6	7	Steel



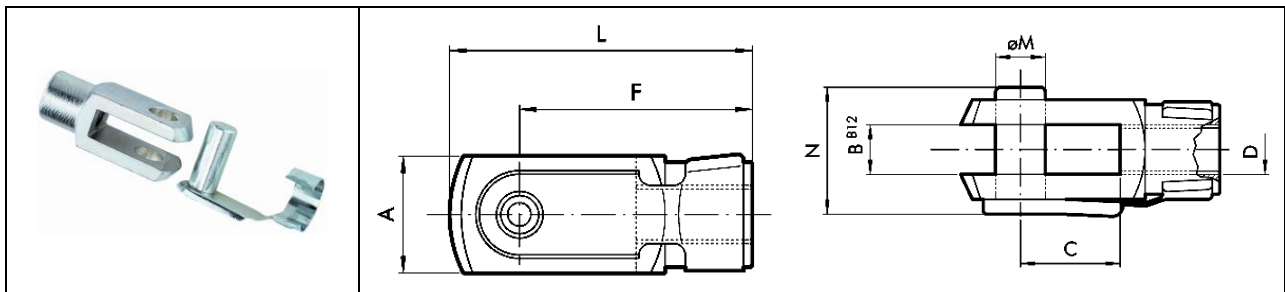
Fixing parts and accessories

Round cylinders Ø 8 to Ø 25

Fork model

Dimensions [mm]

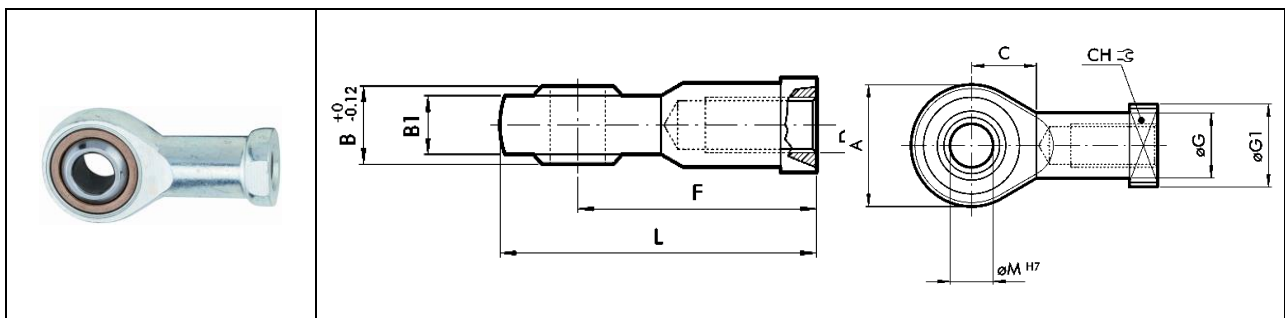
Type No.	Art. No.	Piston Ø	ØM	C	B	A	L	F	D	N	Weight [g]
435.31-M	105844	8 10	4	8	4	8	21	16	M4	11	8
437.31-M	105739	12 16	6	12	6	12	31	24	M6	16	20
437.32-M	105740	20	8	16	8	16	42	32	M8	22	48
450.51-M	105741	25	10	20	10	20	52	40	M10x1.25	26	92



Rod eye model

Dimensions [mm]

Type No.	Art. No.	Piston Ø	ØM	C	B	B1	A	L	F	D	ØG	ØG 1	C H	Weight [g]
435.41-M	105845	8 10	5	10	8	6	18	36	27	M4	9	11	9	22
437.41-M	105742	12 16	6	11	9	6.75	20	40	30	M6	10	13	11	28
437.42-M	105743	20	8	13	12	9	24	48	36	M8	12.5	16	14	50
450.410-M	105744	25	10	15	14	10.5	28	57	43	M10x1.25	15	19	17	78



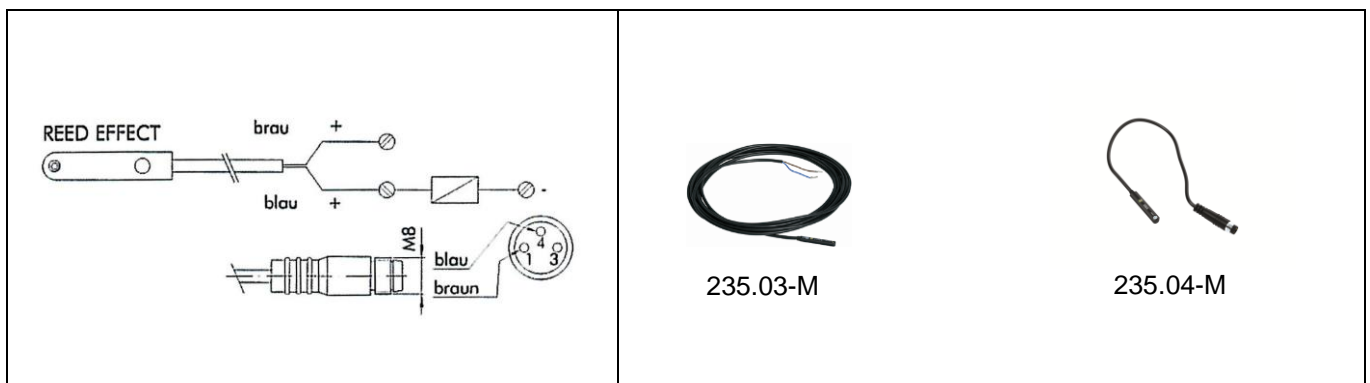
Fixing parts and accessories

Round cylinders $\varnothing 8$ to $\varnothing 25$

Sensors

Dimensions [mm]

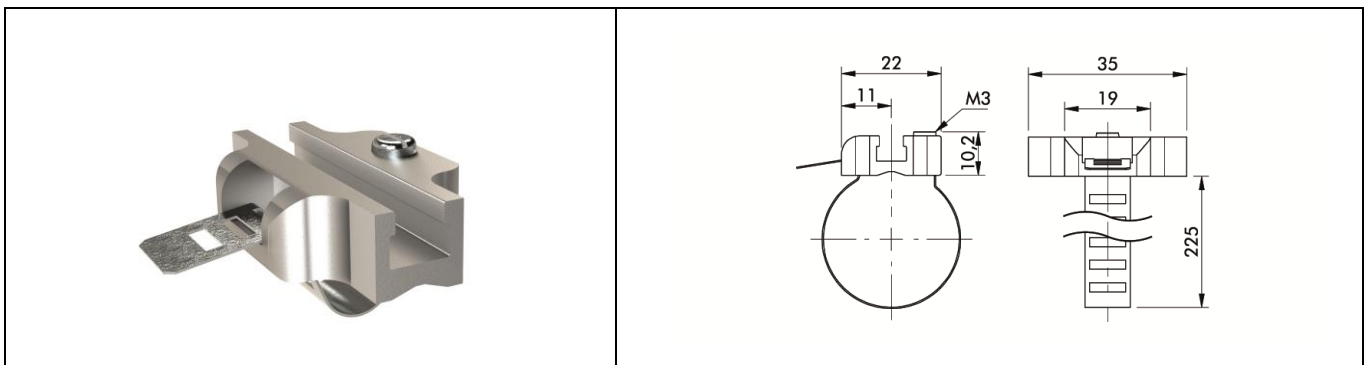
Type No.	Art. No.	Piston \varnothing	Designation
235.03-M	105748	8 - 25	DSL reed sensor, 2-wire, NO, 2.5 m
235.04-M	105749	8 - 25	DSL reed sensor, 2-wire, NO, 300 mm, M8 plug



Sensor support

Dimensions [mm]

Type No.	Art. No.	Piston \varnothing	Material
435.168-M	105747	8 - 25	Tightening strap = stainless steel, Sensor holder = plastic



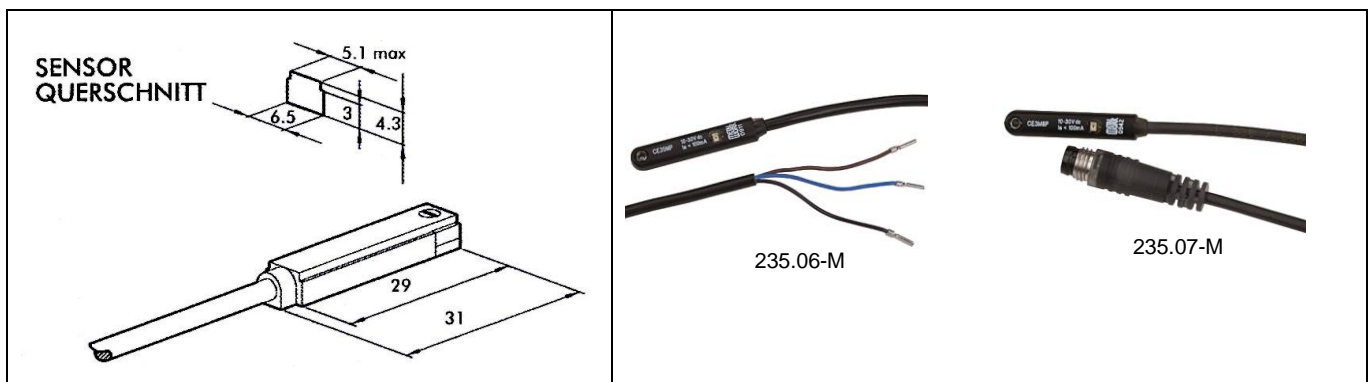
Fixing parts and accessories

Round cylinders Ø 8 to Ø 25

Sensor for T-slot

Dimensions [mm]

Type No.	Art. No.	Piston Ø	Designation
235.06-M	105750	8 - 25	HALL sensor, 3-wire, with 2.5 m cable length
235.07-M	105751	8 - 25	HALL sensor, 3-wire, with M8 plug (3-pin)



Ordering information

Type No.	Art. No.
435.11-M	105840
435.12-M	105730
435.13-M	105731
435.01-M	105841
435.02-M	105732
435.03-M	105733
435.51-M	105842
435.52-M	105734
435.53-M	105735
436.30-M	105843
436.31-M	105736
436.32-M	105737
436.33-M	105738
435.31-M	105844
437.31-M	105739
437.32-M	105740
450.51-M	105741
435.41-M	105845
437.41-M	105742
437.42-M	105743
450.410-M	105744
435.21-M	105846
437.21-M	105745
437.22-M	105746
435.168-M	105747
235.03-M	105748
235.04-M	105749
235.06-M	105750
235.07-M	105751