



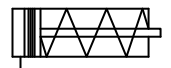
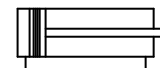
Cylinder

Double-acting / single-acting

Ø 32 to 50 mm

2.DM. Series

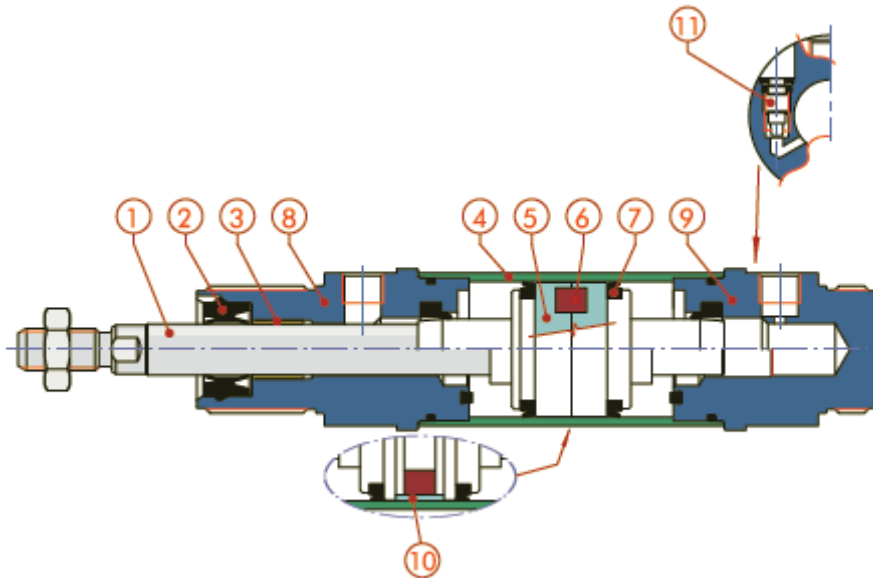
Ident No. 105847 to 105879



Technical data

Max. working pressure	10 bar (1 MPa – 145 psi)			
Temperature range	NBR	Optional		
		Polyurethane	FKM	Low-temp.
	Without magnet	-20 °C / +80 °C	-20 °C / +80 °C	-10 °C / +150 °C
With magnet	-20 °C/+70 °C	-20 °C/+70 °C	-10 °C/+70 °C	-35 °C/+70 °C
Medium	Air (unlubricated)	Important: If lubrication is used, the cylinder must be continuously operated with lubricated air		
Piston Ø	32	40	50	
Design features	- Drawn aluminium jacket / anodised - Screwed heads			
Standard strokes	Function	Piston Ø [mm]	Stroke [mm]	
	Single-acting	32 to 50	0 to 250	
	Double-acting	32 to 50	25 to 500	
Options	- Double-acting (non-cushioned) / single-acting			
	Options	Double-acting (cushioned) Single-acting – retracted piston rod on head side Through rod Through rod (cushioned) Mechanical lock Stick-slip cylinder (oil-free type)		
Sensing	Magnetic piston		Optional: Without magnet	
Set pressure	Piston Ø	Set pressure [bar]		
	32 to 40	0.4		
	50	0.3		
Forces generated [6 bar]	See pressure / force table			
Lubrication	Supplied with continuous lubrication , no external lubrication			
Air quality	Filtered, at least 50 µm			

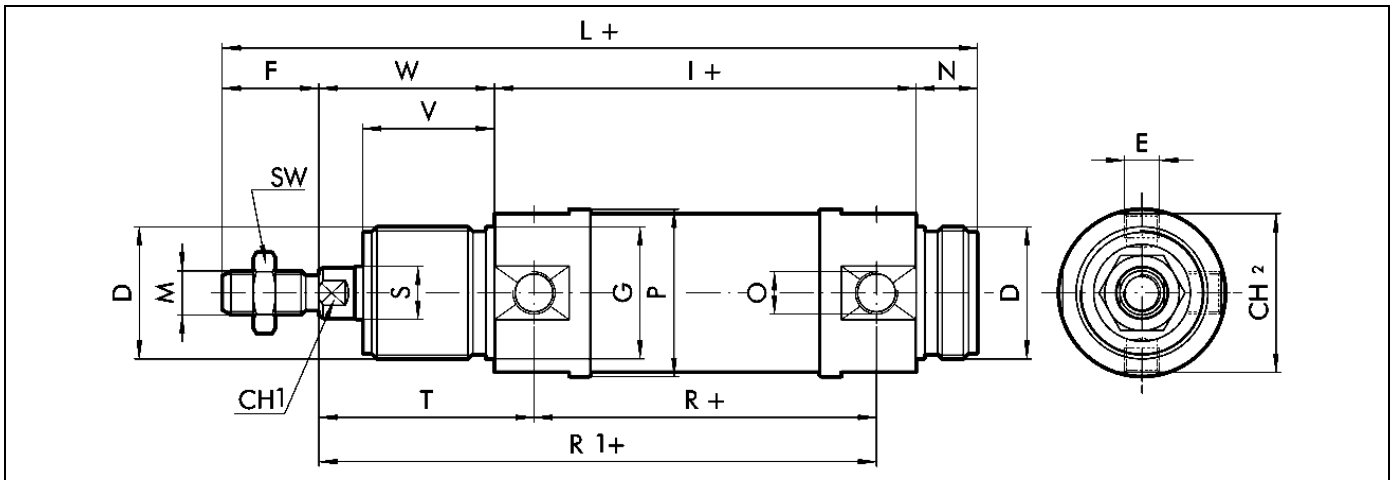
Materials



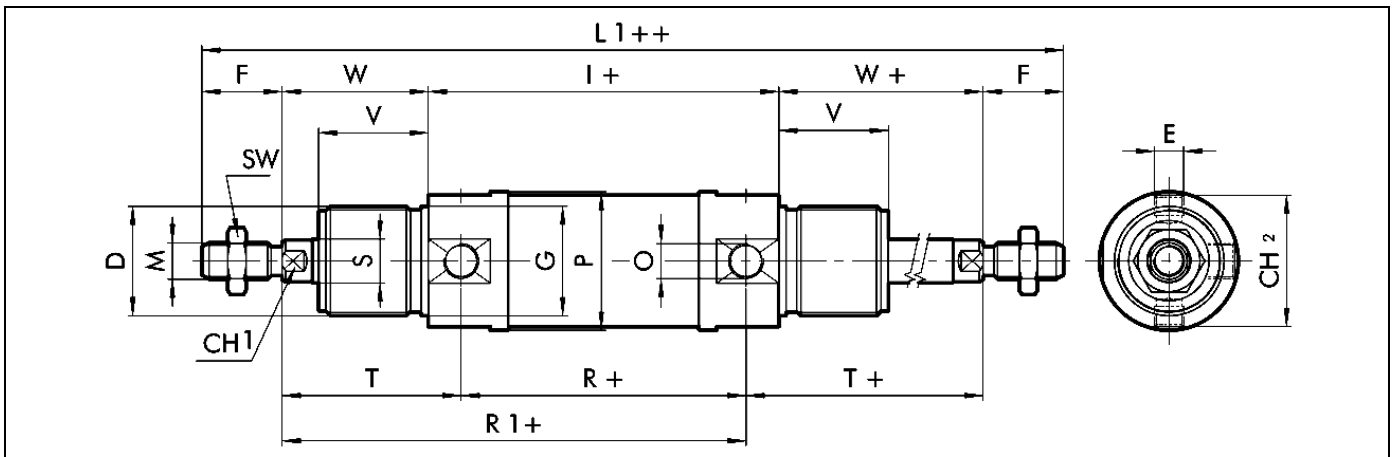
	Part	Standard	Optional
1	Piston rod	C 45 steel, chrome-plated	Stainless steel
2	Piston rod gasket	NBR	Polyurethane, FKM
3	Guide bushing	Steel / bronze / PTFE insert	
4	Jacket	Drawn aluminium alloy, anodised	
5	Half-pistons	Synthetic (acetal) resin	Aluminium
6	Magnet	Plastoferrit	
7	Piston gaskets	NBR	Polyurethane / FKM
8-9	Cover / base	Anodised aluminium alloy	
10	Pad	PTFE	
11	Cushioning valve	MS 58 captive	

Dimensions

Standard type



Through rod



Double-acting - standard / through rod

Ø	D	E	F	ØG	CH1	I	L	M	N	O	ØP
32	M30x1.5	M8x1	22	30	10	96	172	M10x1.25	14	G 1/8	38
40	M38x1.5	M10x1	24	38	13	113	198	M12x1.25	16	G 1/4	46
50	M45x1.5	M12x1.5	32	45	17	120	220	M16x1.5	18	G 1/4	57

Ø	R	ØS	a/f	T	CH2	V	W	L1	R1
32	78	12	17	49	36	30	40	220	127
40	89	16	19	57	43	35	45	251	146
50	96	20	24	62	54	38	50	284	158

Single-acting - standard / through rod

Min.	Stroke	Max.	I			L			R1			L1		
			Ø32	Ø40	Ø50	Ø32	Ø40	Ø50	Ø32	Ø40	Ø50	Ø32	Ø40	Ø50
0	Stroke	50	96	113	120	172	198	220	127	146	158	220	251	284
50	Stroke	100	125	145.5	155.5	201	230.5	255.5	156	178.5	193.5	249	283.5	319.5
100	Stroke	150	154	178	191	230	263	291	185	211	229	278	316	355
150	Stroke	200	183	210.5	226.5	259	295.5	326.5	214	243.5	264.5	307	348.5	390.5
200	Stroke	250	212	243	262	288	328	362	243	276	300	336	381	426

Ordering information

Art. No.	Ident No.
2.DM.32025	105847
2.DM.32050	105848
2.DM.32080	105849
2.DM.32100	105850
2.DM.32125	105851
2.DM.32160	105852
2.DM.32200	105853
2.DM.32250	105854
2.DM.32320	105855
2.DM.32400	105856
2.DM.32500	105857
2.DM.40025	105858
2.DM.40050	105859
2.DM.40080	105860
2.DM.40100	105861
2.DM.10125	105862
2.DM.40160	105863
2.DM.40200	105864
2.DM.40250	105865
2.DM.40320	105866
2.DM.40400	105867
2.DM.40500	105868
2.DM.50025	105869
2.DM.50050	105870
2.DM.50080	105871
2.DM.50100	105872
2.DM.50125	105873
2.DM.50160	105874
2.DM.50200	105875
2.DM.50250	105876
2.DM.50320	105877
2.DM.50400	105878
2.DM.50500	105879