



## For valves in the 516 (pneumatic) and 517 (electro-pneumatic) Series

5510.02-18–5510.38-A, 5520.02-18–5520.12-A

### Product features

Aluminium alloy manifold bases 6061-T6 for 2 to 8 valve positions.

### Multiple manifold bases' specification

| Type No.                 | 5510.02-18–5510.08-18  | 5510.02-14–5510.08-14  | 5510.02-38–5510.08-38  |
|--------------------------|--|--|--|
| Size                     | 100  | 200  | 300  |
| Fluid                    | Air (to be filtered by $\leq 40 \mu\text{m}$ filter element)   |  |  |
| Adaptable valve's series | 517.1000, 517.1001,<br>517.1100, 517.1101,<br>517.1200, 517.1201,<br>517.1300, 517.1301,<br>517.1400, 517.1401,<br>517.1500, 517.1501,<br>516.1000, 516.1001,<br>516.2000, 516.2001,<br>516.3000, 516.3001 | 517.1002, 517.1003,<br>517.1102, 517.1103,<br>517.1202, 517.1203,<br>517.1302, 517.1303,<br>517.1402, 517.1403,<br>517.1502, 517.1503,<br>516.1002, 516.1003,<br>516.2002, 516.2003,<br>516.3002, 516.3003 | 517.1004, 517.1005,<br>517.1104, 517.1105,<br>517.1204, 517.1205,<br>517.1304, 517.1305,<br>517.1404, 517.1405,<br>517.1504, 517.1505,<br>516.1004, 516.1005,<br>516.2004, 516.2005,<br>516.3004, 516.2005 |

| Type No.                 | 5520.02-18–5520.08-18  | 5520.02-14–5520.08-14  | 5520.02-38–5520.08-38  | 5520.02-12–5520.08-12  |
|--------------------------|--|--|--|--|
| Size                     | 100  | 200  | 300  | 400  |
| Fluid                    | Air (to be filtered by $\leq 40 \mu\text{m}$ filter element)   |  |  |  |
| Adaptable valve's series | 517.2000, 517.2001,<br>517.2100, 517.2101,<br>517.2200, 517.2201,<br>517.2300, 517.2301,<br>517.3000, 517.3001,<br>517.3100, 517.3101,<br>517.3200, 517.3201,<br>517.3300, 517.3301,<br>517.3400, 517.3401,<br>517.3500, 517.3501,<br>516.4000, 516.4001,<br>516.5000, 516.5001,<br>516.6000, 516.6001,<br>516.7000, 516.7001,<br>516.8000, 516.8001 | 517.2002, 517.2003,<br>517.2102, 517.2103,<br>517.2202, 517.2203,<br>517.2302, 517.2303,<br>517.3002, 517.3003,<br>517.3102, 517.3103,<br>517.3202, 517.3203,<br>517.3302, 517.3303,<br>517.3402, 517.3403,<br>517.3502, 517.3503,<br>516.4002, 516.4003,<br>516.5002, 516.5003,<br>516.6002, 516.6003,<br>516.7002, 516.7003,<br>516.8002, 516.8003 | 517.2004, 517.2005,<br>517.2104, 517.2105,<br>517.2204, 517.2205,<br>517.2304, 517.2305,<br>517.3004, 517.3005,<br>517.3104, 517.3105,<br>517.3204, 517.3205,<br>517.3304, 517.3305,<br>517.3404, 517.3405,<br>517.3504, 517.3505,<br>516.4004, 516.4005,<br>516.5004, 516.5005,<br>516.6004, 516.6005,<br>516.7004, 516.7005,<br>516.8005, 516.8005 | 517.2006,<br>517.2106,<br>517.2206,<br>517.2306,<br>517.3006,<br>517.3106,<br>517.3206,<br>517.3306,<br>517.3406,<br>517.3506,<br>516.4006,<br>516.5006,<br>516.6006,<br>516.7006,<br>516.8006 |

### Ordering information

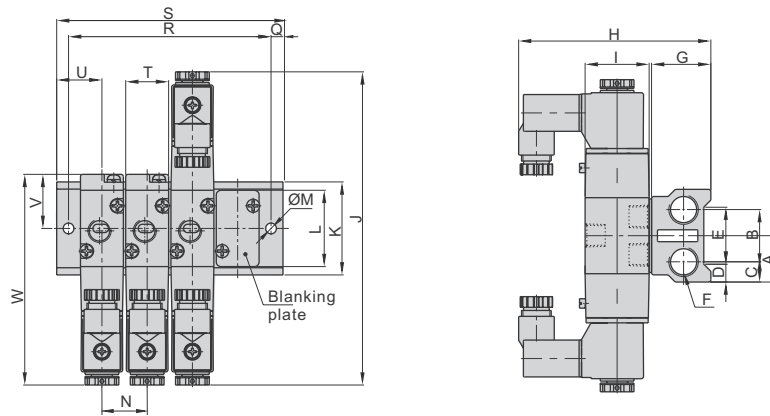
| Type No.             | Type                                      |
|----------------------|---|
| 5510.02-18–5510.38-A | Manifold base for 3/2-way valve           |
| 5520.02-18–5520.12-A | Manifold base for 5/2- and 5/3 way valves |

For valves in the 516 (pneumatic) and 517 (electro-pneumatic) Series

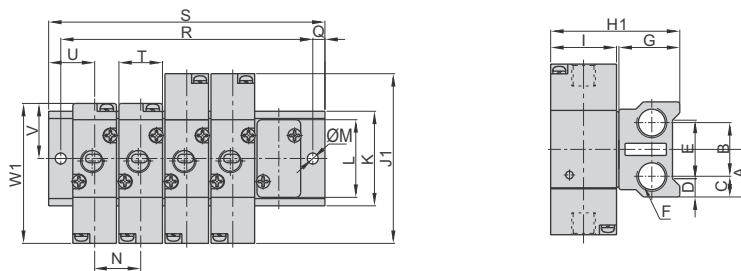
5510.02-18-5510.38-A, 5520.02-18-5520.12-A

Body dimensions

517 series



516 series



| Type No.              | A    | B    | C    | D   | E    | F    | G    | H    | H1   | I    | J     | J1   | K    | L    | M   | N    | Q   | T    | U    |
|-----------------------|------|------|------|-----|------|------|------|------|------|------|-------|------|------|------|-----|------|-----|------|------|
| 5510.02-18-5510.08-18 | 19.5 | 22.0 | 8.5  | 7.5 | 24.0 | 1/4" | 25.0 | 81.0 | 53.0 | 27.0 | 131.4 | 70.0 | 39.0 | 32.0 | 4.5 | 19.0 | 5.0 | 18.0 | 19.0 |
| 5510.02-14-5510.08-14 | 22.5 | 25.0 | 10.0 | 8.0 | 29.0 | 1/4" | 25.0 | 92.7 | 61.0 | 35.0 | 162.4 | 84.0 | 45.0 | 40.0 | 4.5 | 23.0 | 6.0 | 22.0 | 23.0 |
| 5510.02-38-5510.08-38 | 26.0 | 28.0 | 12.0 | 8.0 | 36.0 | 3/8" | 29.0 | 99.2 | 70.0 | 40.0 | 174.8 | 96.0 | 52.0 | 47.0 | 4.5 | 28.0 | 6.0 | 27.0 | 27.0 |

(Values in mm, exception F = inch)

| Type No.              | R    |      |      |       |       |       |       |       | S    |      |       |       |       |       |       |       | V    | W     | W1   |
|-----------------------|------|------|------|-------|-------|-------|-------|-------|------|------|-------|-------|-------|-------|-------|-------|------|-------|------|
|                       | 1F   | 2F   | 3F   | 4F    | 5F    | 6F    | 7F    | 8F    | 1F   | 2F   | 3F    | 4F    | 5F    | 6F    | 7F    | 8F    |      |       |      |
| 5510.02-18-5510.08-18 | 28.0 | 47.0 | 66.0 | 85.0  | 104.0 | 123.0 | 142.0 | 161.0 | 38.0 | 57.0 | 76.0  | 95.0  | 114.0 | 133.0 | 152.0 | 171.0 | 22.7 | 88.4  | 57.7 |
| 5510.02-14-5510.08-14 | 34.0 | 57.0 | 80.0 | 103.0 | 126.0 | 149.0 | 172.0 | 195.0 | 46.0 | 69.0 | 92.0  | 115.0 | 138.0 | 161.0 | 184.0 | 207.0 | 27.7 | 109.1 | 69.7 |
| 5510.02-38-5510.08-38 | 42.0 | 70.0 | 98.0 | 126.0 | 154.0 | 182.0 | 210.0 | 238.0 | 54.0 | 82.0 | 110.0 | 138.0 | 166.0 | 194.0 | 222.0 | 250.0 | 32.5 | 119.9 | 80.5 |

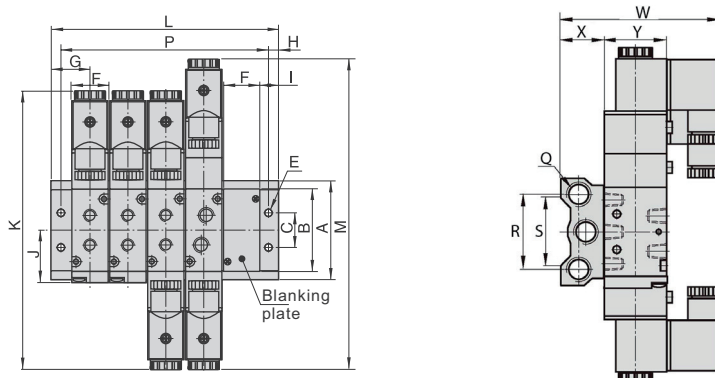
(Values in mm)

## For valves in the 516 (pneumatic) and 517 (electro-pneumatic) Series

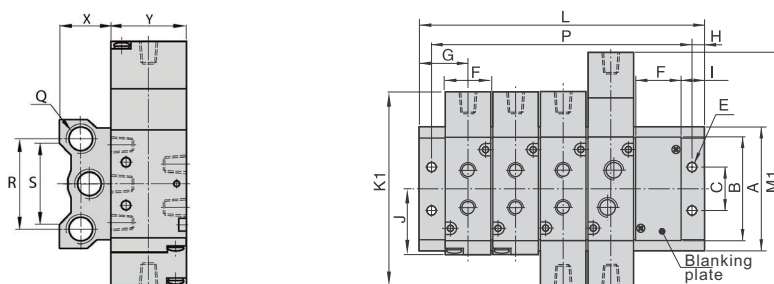
5510.02-18–5510.38-A, 5520.02-18–5520.12-A

### Body dimensions

#### 517 series



#### 516 series



| Type No.              | A     | B    | C    | E   | F    | G    | H   | I    | J    | K     | K1    | M1    | M1    | Q    | R    | S    |
|-----------------------|-------|------|------|-----|------|------|-----|------|------|-------|-------|-------|-------|------|------|------|
| 5520.02-18–5520.08-18 | 57.5  | 43.2 | 20.0 | 4.5 | 18.3 | 19.0 | 5.0 | 10.0 | 28.2 | 139.4 | 81.0  | 154.5 | 96.0  | 1/4" | 40.0 | 30.0 |
| 5520.02-14–5520.08-14 | 60.0  | 50.7 | 21.0 | 4.5 | 22.4 | 23.0 | 6.0 | 12.0 | 31.7 | 170.0 | 92.0  | 189.0 | 111.0 | 1/4" | 43.0 | 32.0 |
| 5520.02-38–5520.08-38 | 75.0  | 64.8 | 26.0 | 4.5 | 27.3 | 27.0 | 6.0 | 13.5 | 40.0 | 188.8 | 111.0 | 208.0 | 130.0 | 3/8" | 53.0 | 48.0 |
| 5520.02-12–5520.08-12 | 100.0 | 94.5 | 32.0 | 5.5 | 34.3 | 31.5 | 7.0 | 14.5 | 57.0 | 221.8 | 142.0 | 243.0 | 163.0 | 1/2" | 68.0 | 67.0 |

(Values in mm, exception Q = inch)

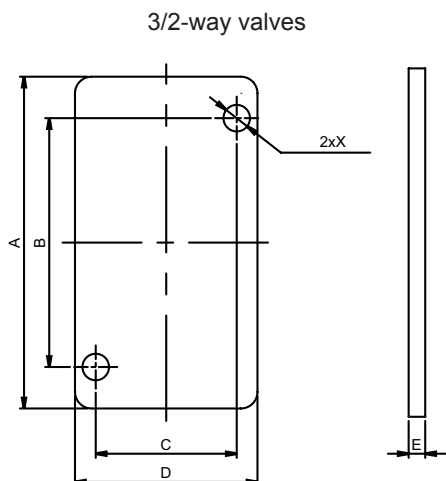
| Type No.              | L    |      |       |       |       |       |       |       | P    |      |       |       |       |       |       |       | W     | X    | Y    |
|-----------------------|------|------|-------|-------|-------|-------|-------|-------|------|------|-------|-------|-------|-------|-------|-------|-------|------|------|
|                       | 1F   | 2F   | 3F    | 4F    | 5F    | 6F    | 7F    | 8F    | 1F   | 2F   | 3F    | 4F    | 5F    | 6F    | 7F    | 8F    |       |      |      |
| 5520.02-18–5520.08-18 | 38.0 | 57.0 | 76.0  | 95.0  | 114.0 | 133.0 | 152.0 | 171.0 | 28.0 | 47.0 | 66.0  | 85.0  | 104.0 | 123.0 | 142.0 | 161.0 | 79.0  | 22.0 | 27.0 |
| 5520.02-14–5520.08-14 | 46.0 | 69.0 | 92.0  | 115.0 | 138.0 | 161.0 | 184.0 | 207.0 | 34.0 | 57.0 | 80.0  | 103.0 | 126.0 | 149.0 | 172.0 | 195.0 | 93.0  | 24.0 | 35.0 |
| 5520.02-38–5520.08-38 | 54.0 | 82.0 | 110.0 | 138.0 | 166.0 | 194.0 | 222.0 | 250.0 | 42.0 | 70.0 | 98.0  | 126.0 | 154.0 | 182.0 | 210.0 | 238.0 | 99.5  | 28.0 | 40.0 |
| 5520.02-12–5520.08-12 | 63.0 | 98.0 | 133.0 | 168.0 | 203.0 | 238.0 | 273.0 | 308.0 | 49.0 | 84.0 | 119.0 | 154.0 | 189.0 | 224.0 | 259.0 | 294.0 | 112.5 | 33.0 | 50.0 |

(Values in mm)

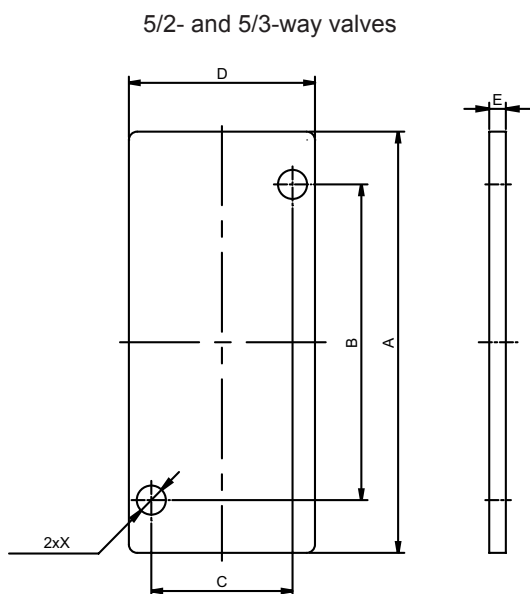
For valves in the 516 (pneumatic) and 517 (electro-pneumatic) Series

5510.02-18-5510.38-A, 5520.02-18-5520.12-A

Blanking plate for manifold base



| Type No.  | A    | B    | C    | D    | X   | E   |
|-----------|------|------|------|------|-----|-----|
| 5510.18-A | 32.0 | 19.0 | 13.0 | 18.0 | 3.2 | 2.0 |
| 5510.14-A | 40.0 | 30.0 | 17.0 | 22.0 | 3.2 | 2.0 |
| 5510.38-A | 47.0 | 35.0 | 20.0 | 27.0 | 4.3 | 2.0 |



| Type No.  | A    | B    | C    | D    | X   | E   |
|-----------|------|------|------|------|-----|-----|
| 5520.18-A | 43.2 | 30.0 | 13.0 | 18.3 | 3.5 | 2.0 |
| 5520.14-A | 50.7 | 38.0 | 17.0 | 22.4 | 3.5 | 2.0 |
| 5520.38-A | 64.8 | 50.0 | 20.0 | 27.3 | 4.5 | 2.0 |
| 5520.12-A | 94.5 | 72.0 | 27.0 | 34.3 | 4.5 | 3.0 |

## Gaskets for multiple manifold bases for series 516 (pneumatic) and 517 (electro-pneumatic)

Item No. 118571 - 118577

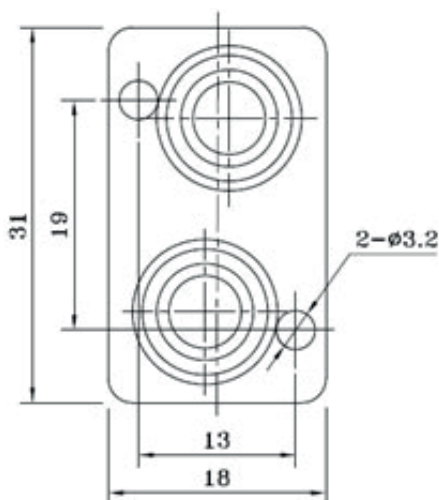
Gaskets, consisting of 1 gasket and 2 screws for mounting



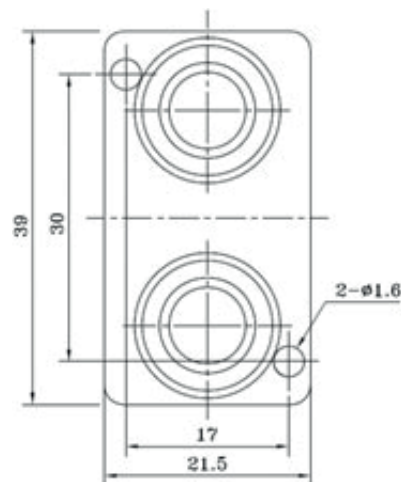
| Item No. | Type No.      | For valve                         | For valve connection | Size |
|----------|---------------|-----------------------------------|----------------------|------|
| 118571   | VPD5510.100-D | 3/2-way<br>3A, 3V series          | M5, G 1/8            | 100  |
| 118572   | VPD5510.200-D |                                   | G 1/8, G 1/4         | 200  |
| 118573   | VPD5510.300-D |                                   | G 1/4, G 3/8         | 300  |
| 118574   | VPD5520.100-D | 5/2- and 5/3-way<br>4A, 4V series | M5, G 1/8            | 100  |
| 118575   | VPD5520.200-D |                                   | G 1/8, G 1/4         | 200  |
| 118576   | VPD5520.300-D |                                   | G 1/4, G 3/8         | 300  |
| 118577   | VPD5520.400-D |                                   | G 1/2                | 400  |

### Dimensions in mm

Item No. 118571

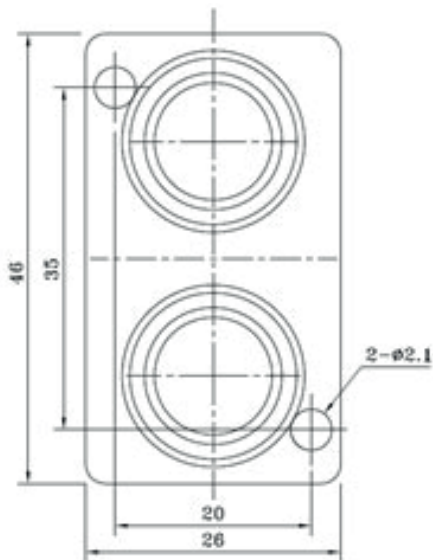


Item No. 118572

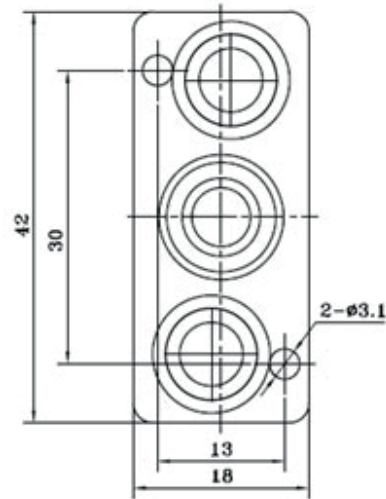


Dimensions in mm

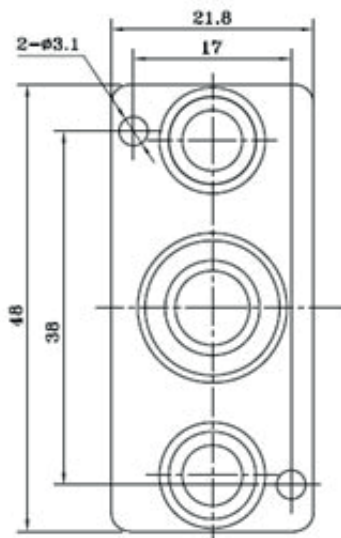
Item No. 118573



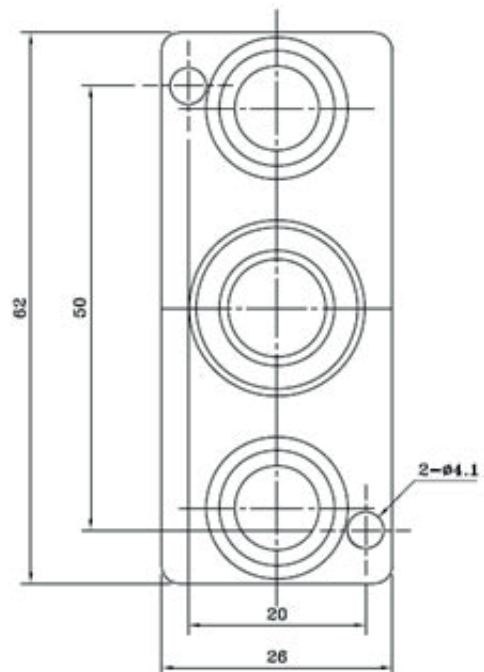
Item No. 118574



Item No. 118575

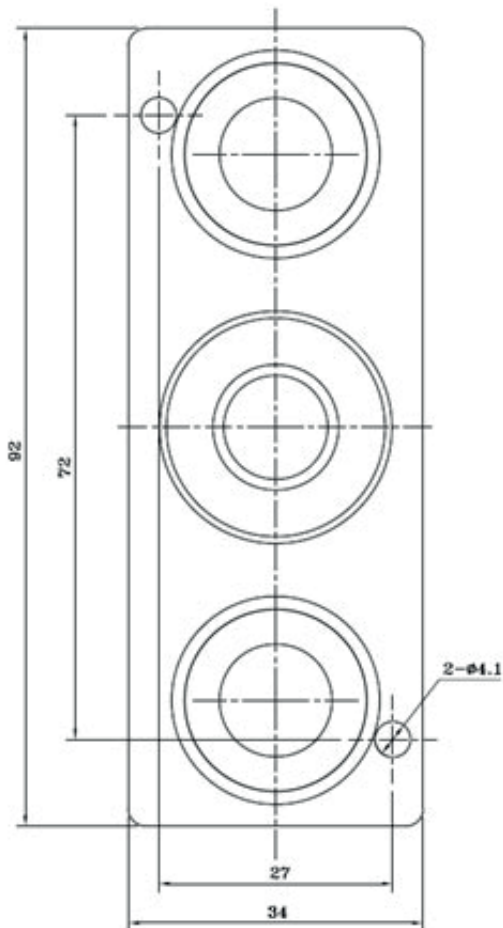


Item No. 118576



Dimensions in mm

Item No. 118577



### Ordering information

| Type No.   | Item No. |
|------------|----------|
| 5510.02-18 | 116220   |
| 5510.03-18 | 116223   |
| 5510.04-18 | 116226   |
| 5510.05-18 | 116229   |
| 5510.06-18 | 116232   |
| 5510.07-18 | 116235   |
| 5510.08-18 | 116238   |
| 5510.18-A  | 116241   |
| 5510.02-14 | 116219   |
| 5510.03-14 | 116222   |
| 5510.04-14 | 116225   |
| 5510.05-14 | 116228   |
| 5510.06-14 | 116231   |
| 5510.07-14 | 116234   |
| 5510.08-14 | 116237   |
| 5510.14-A  | 116240   |
| 5510.02-38 | 116221   |
| 5510.03-38 | 116224   |
| 5510.04-38 | 116227   |
| 5510.05-38 | 116230   |
| 5510.06-38 | 116233   |
| 5510.07-38 | 116236   |
| 5510.08-38 | 116239   |
| 5510.38-A  | 116242   |

### Ordering information

| Type No.   | Item No. |
|------------|----------|
| 5520.02-18 | 116245   |
| 5520.03-18 | 116249   |
| 5520.04-18 | 116253   |
| 5520.05-18 | 116257   |
| 5520.06-18 | 116261   |
| 5520.07-18 | 116265   |
| 5520.08-18 | 116269   |
| 5520.18-A  | 116273   |
| 5520.02-14 | 116244   |
| 5520.03-14 | 116248   |
| 5520.04-14 | 116252   |
| 5520.05-14 | 116256   |
| 5520.06-14 | 116260   |
| 5520.07-14 | 116264   |
| 5520.08-14 | 116268   |
| 5520.14-A  | 116272   |
| 5520.02-38 | 116246   |
| 5520.03-38 | 116250   |
| 5520.04-38 | 116254   |
| 5520.05-38 | 116258   |
| 5520.06-38 | 116262   |
| 5520.07-38 | 116266   |
| 5520.08-38 | 116270   |
| 5520.38-A  | 116274   |
| 5520.02-12 | 116243   |
| 5520.03-12 | 116247   |
| 5520.04-12 | 116251   |
| 5520.05-12 | 116255   |
| 5520.06-12 | 116259   |
| 5520.07-12 | 116263   |
| 5520.08-12 | 116267   |
| 5520.12-A  | 116271   |