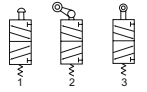




»M5« Series

511.1100–511.3101

Symbol



Product features

Traditional and robust valve series. Suitable for all applications where pneumatic actuators have to be operated. These valves are designed for in-line installation. The following types are available:

- Two port sizes (1/8" and 1/4")
- 5/2-way version

Valve's specification

Art. No.	511.1100, 511.2100, 511.3100	511.1101, 511.2101, 511.3101
Fluid	Air (to be filtered by $\leq 40 \mu\text{m}$ filter element)	
Operating	Pneumatic control direct acting type	
Port size	1/8"; 1/4"	
Valid area of section	1/8": 9.0 mm ² (Cv = 0.50); 1/4": 12.0 mm ² (Cv = 0.67)	
Valve type	5 port 2 position	
Lubrication	Not required	
Pressure range	0 to 10 bar (0 to 1.0 MPa; 0 to 145 psi)	
Proof pressure	15 bar (1.5 MPa; 215 psi)	
Temperature	-20 to 70 °C	
Material of body	Aluminium alloy	
Flow rate measurement at P ₁ = 8 bar, P ₂ = 6 bar and pressure drop $\Delta p = 1$ bar	450 L/min	550 L/min

Port identification pneumatic valves

	Designation at the valve	Corresponds to ISO 1219-1
Input port	P	1
Output port	A	2
Output port	B	4
Exhaust port	R	3
Exhaust port	S	5
Control port	Y	12
Control port	Z	14

Ordering information

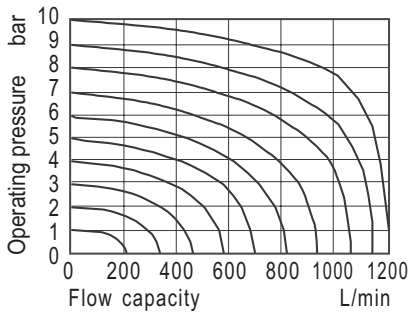
Art. No.	Type
511.1100, 511.1101	5/2-way valve, mechanically operated, with plunger
511.2100, 511.2101	5/2-way valve, mechanically operated, with roller lever
511.3100, 511.3101	5/2-way valve, mechanically operated, with free-return roller lever

»M5« Series

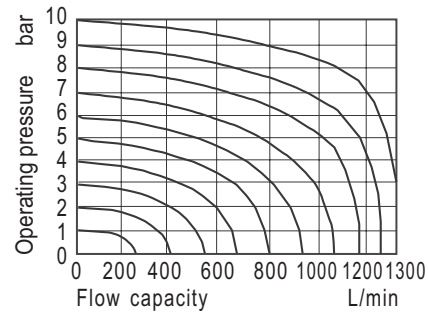
511.1100–511.3101

Flow chart

511.1100 (G 1/8")

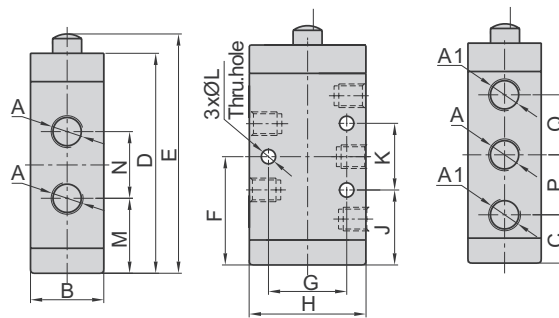


511.1101 (G1/4")



Body dimensions

511.1100, 511.1101

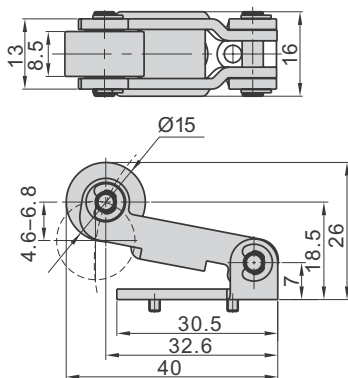


Art. No.	A	A1	B	C	D	E	F	G	H	J	K	L	M	N	P	Q
511.1100–	1/8"	1/8"	22	14.5	66	71.8	32.5	23.5	35	22.5	20	4.3	22.5	20	18	18
511.3101	1/4"	1/4"														

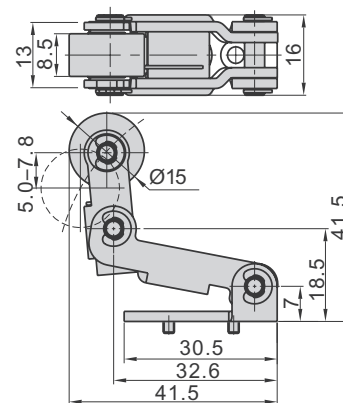
(Values in mm, exception A, A1 = inch)

Control set dimensions (mm)

511.2100, 511.2101



511.3100, 511.3101



»M5« Series

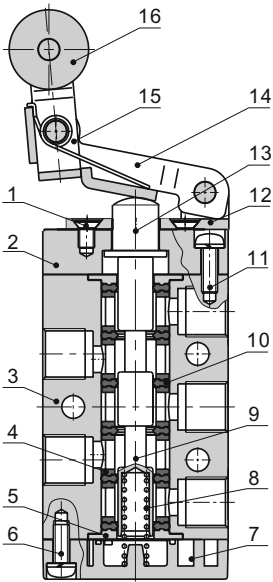
511.1100–511.3101

Reversal stroke

Art. No.	Spool stroke	Button/lever stroke
511.1100–511.1101	2.0 to 3.3	-
511.2100–511.2101	2.0 to 3.0	4.6 to 6.8
511.3100–511.3101	2.0 to 3.0	5.0 to 7.8

(Values in mm)

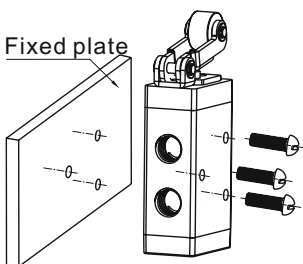
Components and materials



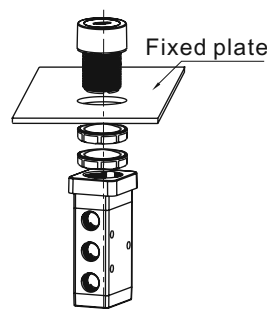
No.	Item	Material
1	Screw	Steel
2	Cover	Aluminium alloy
3	Body	Aluminium alloy
4	Spacer	POM
5	Centering bush	Aluminium alloy
6	Screw	Steel
7	Cover	Aluminium alloy
8	Spring	Stainless steel
9	Spool	Aluminium alloy
10	O-ring	HNBR
11	Screw	Steel
12	Holder	Steel
13	Press bolt	Hardened steel
14	Roller lever	Steel
15	Rocker lever	Steel
16	Roller	Hardened steel

Assembly chart

Body mounting



Panel mounting



Ordering information

Art. No.	Ident No.
511.1100	115954
511.1101	115955
511.2100	115958
511.2101	115959
511.3100	115962
511.3101	115963