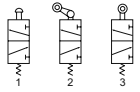


»M3« Series

511.1000–511.3001



Symbol



Product features

Traditional and robust valve series. Suitable for all applications where pneumatic actuators have to be operated. These valves are designed for in-line installation. The following types are available:

- Two port sizes (1/8" and 1/4")
- 3/2-way version

Valve's specification

Art. No.	511.1000, 511.2000, 511.3000	511.1001, 511.2001, 511.3001
Fluid	Air (to be filtered by $\leq 40 \mu\text{m}$ filter element)	
Operating	Pneumatic control direct acting type	
Port size	1/8"; 1/4"	
Valid area of section	1/8": 9.0 mm ² (Cv = 0.50); 1/4": 12.0 mm ² (Cv = 0.67)	
Valve type	3 port 2 position	
Lubrication	Not required	
Pressure range	0 to 10 bar (0 to 1.0 MPa; 0 to 145 psi)	
Proof pressure	15 bar (1.5 MPa; 215 psi)	
Temperature	-20 to 70 °C	
Material of body	Aluminium alloy	
Flow rate measurement at P ₁ = 8 bar, P ₂ = 6 bar and pressure drop $\Delta p = 1$ bar	450 L/min	550 L/min

Port identification pneumatic valves

	Designation at the valve	Corresponds to ISO 1219-1
Input port	P	1
Output port	A	2
Output port	B	4
Exhaust port	R	3
Exhaust port	S	5
Control port	Y	12
Control port	Z	14

Ordering information

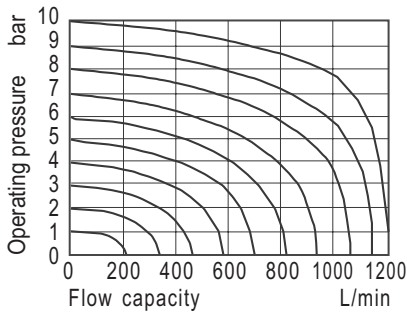
Art. No.	Type
511.1000, 511.1001	3/2-way valve, mechanically operated, with plunger, NC
511.2000, 511.2001	3/2-way valve, mechanically operated, with roller lever, NC
511.3000, 511.3001	3/2-way valve, mechanically operated, with free-return roller lever, NC

»M3« Series

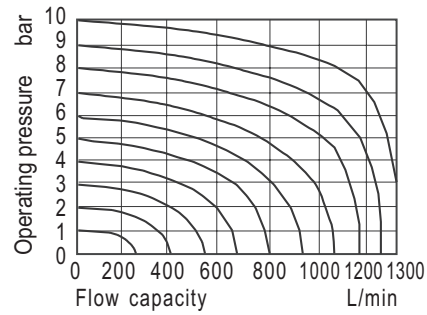
511.1000–511.3001

Flow chart

511.1000 (G 1/8")

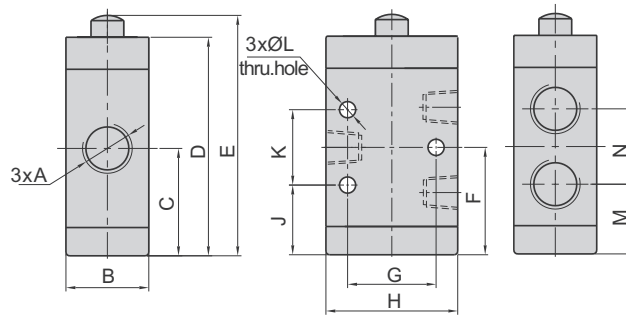


511.1001 (G 1/4")



Body dimensions

511.1000, 511.1001

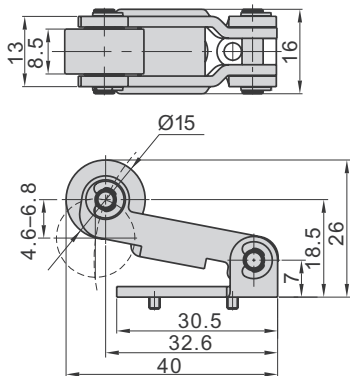


Art. No.	A	B	C	D	E	F	G	H	J	K	L	M	N
511.1000–511.3001	1/8"	22	28.5	58	63.8	28.5	23.5	35	18.5	20	4.3	18.5	20
	1/4"												

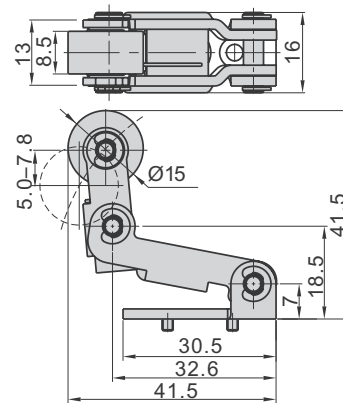
(Values in mm, exception A = inch)

Control set dimensions (mm)

511.2000, 511.2001



511.3000, 511.3001



»M3« Series

511.1000–511.3001

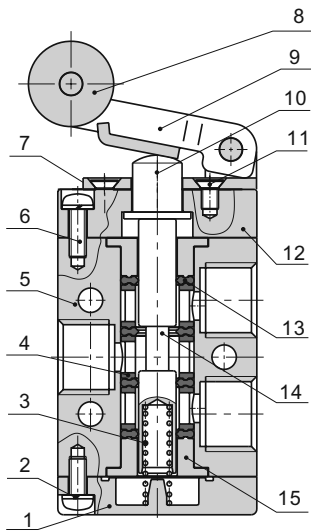
Reversal stroke

Art. No.	Spool stroke	Button/lever stroke
511.1000, 511.1001	2.0 to 3.3	-
511.2000, 511.2001	2.0 to 3.0	4.6 to 6.8
511.3000, 511.3001	2.0 to 3.0	5.0 to 7.8

(Values in mm)

Components and materials

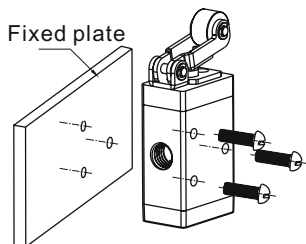
511.2000, 511.2001



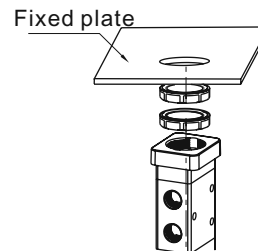
No.	Item	Material
1	Cover	PA66
2	Screw	Steel
3	Spring	Stainless steel
4	Spacer	POM
5	Body	Aluminium alloy
6	Screw	Steel
7	Holder	Steel
8	Roller	Hardened Steel
9	Roller lever	Steel
10	Press bolt	Steel
11	Screw	Steel
12	Cover	Aluminium alloy
13	O-ring	NBR
14	Spool	Aluminium alloy
15	Centering bush	Aluminium alloy

Assembly chart

Body mounting



Panel mounting



Ordering information

Art. No.	Ident No.
511.1000	115952
511.1001	115953
511.2000	115956
511.2001	115957
511.3000	115960
511.3001	115961