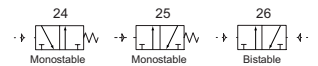




»3A« Series

516.1000–516.3005

Symbol



Product features

Traditional and robust pilot valve series. Suitable for all applications where pneumatic actuators have to be operated. These valves are designed for in-line installation or as mass-produced valves for mounting on a multiple manifold base. Mounting in any position.

The following types are available:

- Four port sizes (M5, 1/8", 1/4" and 3/8")
- 3/2-way version

Valve's specification

Art. No.	Size 100		Size 200		Size 300	
		516.1000 516.2000 516.3000	516.1001 516.2001 516.3001	516.1002 516.2002 516.3002	516.1003 516.2003 516.3003	516.1004 516.2004 516.3004
Fluid	Air (to be filtered by $\leq 40 \mu\text{m}$ filter element)					
Acting	Pneumatic control					
Port size	M5	1/8"	In = Out = 1/8"	In = Out = 1/4"	In = Out = 1/4"	In = Out = 3/8"
Valid area of section	5.5 mm ² (CV = 0.31)	12.0 mm ² (CV = 0.67)	14.0 mm ² (CV = 0.78)	16.0 mm ² (CV = 0.89)	25.0 mm ² (CV = 1.39)	30.0 mm ² (CV = 1.67)
Valve type	3 port 2 position					
Lubrication	Not required					
Operating pressure	1.5 to 8 bar (0.15 to 0.8 MPa; 21 to 114 psi)					
Proof pressure	15 bar (1.5 MPa; 215 psi)					
Temperature	-20 to 70 °C					
Material of body	Aluminum alloy					
Max. frequency	5 cycle/s					
Flow rate measurement at P ₁ = 8 bar, P ₂ = 6 bar and pressure drop $\Delta p = 1$ bar	300 L/min	500 L/min	750 L/min	850 L/min	1300 L/min	1500 L/min

Port identification pneumatic valves

	Designation at the valve	Corresponds to ISO 1219-1
Input port	P	1
Output port	A	2
Output port	B	4
Exhaust port	R	3
Exhaust port	S	5
Control port	Y	12
Control port	Z	14

Ordering information

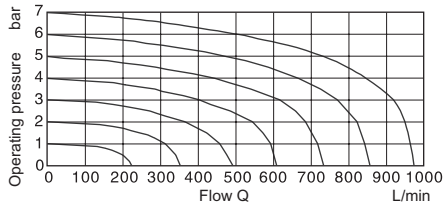
Art. No.	Type
516.1000–516.1005	3/2-way pilot valve, monostable, normally open (NO)
516.2000–516.2005	3/2-way pilot valve, monostable, normally closed (NC)
516.3000–516.3005	3/2-way pilot valve, bistable

»3A« Series

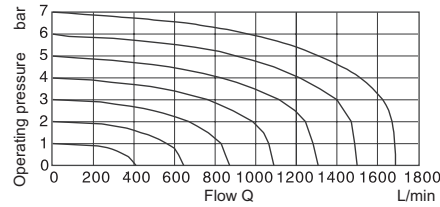
516.1000–516.3005

Flow chart

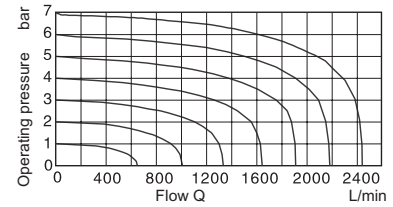
516.1001, 516.2001 (G1/8")



516.1003, 516.2003 (G1/4")

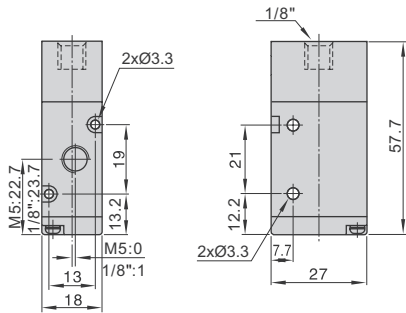


516.1005, 516.2005 (G3/8")

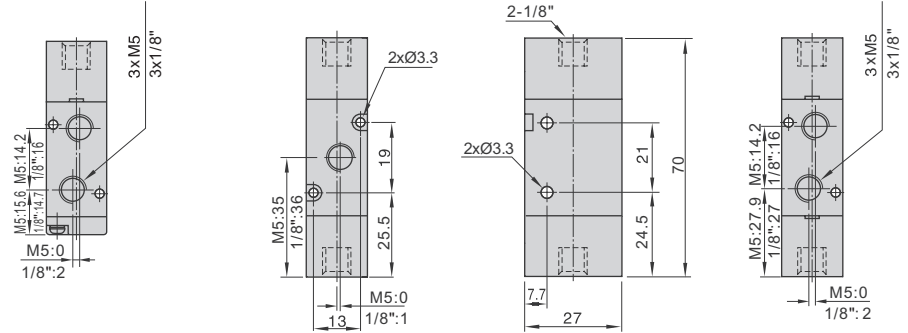


Dimensions (mm)

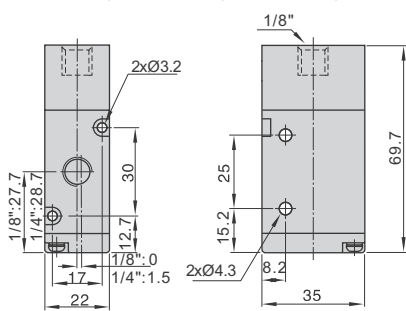
516.1000, 516.1001, 516.2000, 516.2001



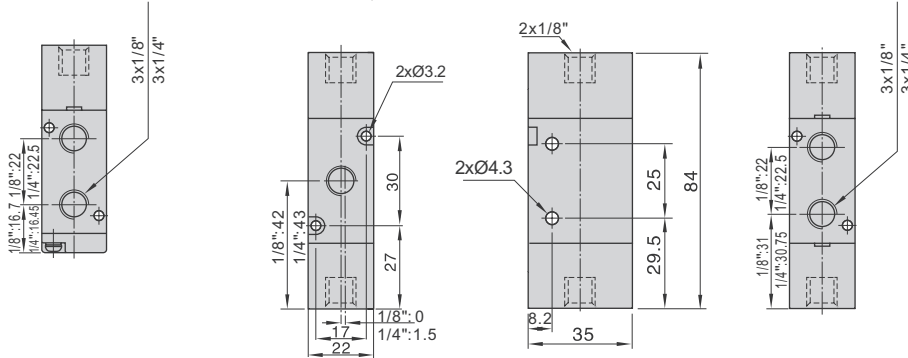
516.3000, 516.3001



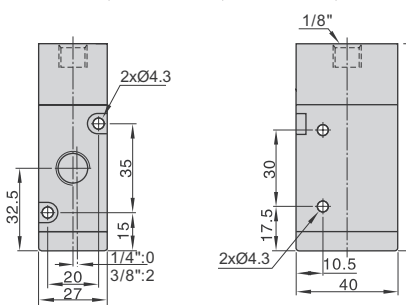
516.1002, 516.2002, 516.1003, 516.2003



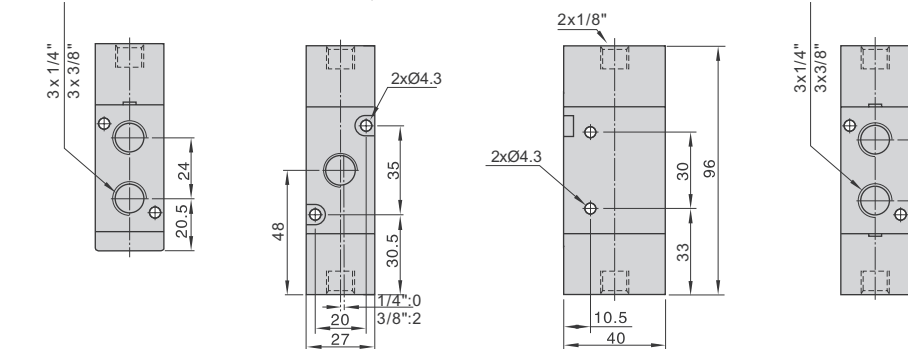
516.3002, 516.3003



516.1004, 516.2004, 516.1005, 516.2005



516.3004, 516.3005

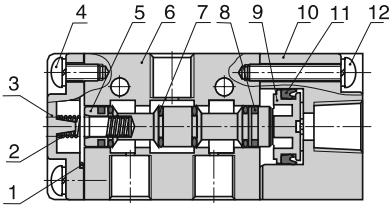


»3A« Series

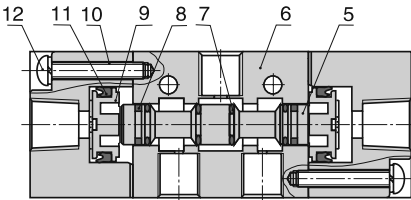
516.1000–516.3005

Components and materials

516.1000–516.1002, 516.1004
516.2000–516.2002, 516.2004



516.3000–516.3002, 516.3004



No.	Item	Material
1	Gasket	NBR
2	Spring	Stainless steel
3	Cover	Aluminium alloy
4	Screw	Steel
5	Spool	Aluminium alloy
6	Body	Aluminium alloy
7	O-ring	HNBR
8	Wear ring	PA66
9	Piston	POM
10	Pilot body	Aluminium alloy
11	O-ring	NBR
12	Screw	Steel

Ordering information

Art. No.	Ident No.
516.1000	116034
516.1001	116035
516.1002	116036
516.1003	116037
516.1004	116038
516.1005	116039
516.2000	116040
516.2001	116041
516.2002	116042
516.2003	116043
516.2004	116044
516.2005	116045
516.3000	116046
516.3001	116047
516.3002	116048
516.3003	116049
516.3004	116050
516.3005	116051