



Closed when de-energised

Directly operated piston valve

G 1/8

MV 1313

MV 1322 G

MV 1314

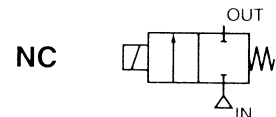
MV 1324 G

**230/50
24 = (G)**

CE

Features

- Media valve for shutting off gaseous or liquid media that are compatible with the materials used
- The valves do not require a minimum operating pressure
- A **compact design, easy installation** and **short response times** are typical features of this modern valve concept
- Any mounting position
- The high-quality materials used for the valves and extensive testing guarantee a long service life



Usage

Compact solenoid valve for use in industrial automation and thermodynamics.

Applications

Art. No. – Ident No.	Medium (2)	Seals	Temperature range (1)
MV 1313 - 102885 MV 1314 - 102886 MV 1322 G - 102891 MV 1324 G - 102892	Air, inert gases, water, mineral oils (2°E), benzine, gas oil, heavy oil (7°E)	FPM	Medium temp. -10 °C to 140 °C Ambient temp. -10 °C to 80 °C

(1) At temperatures below zero the medium may freeze and damage the valve
(2) Remember to take account of the resistance and viscosity

Electrical data

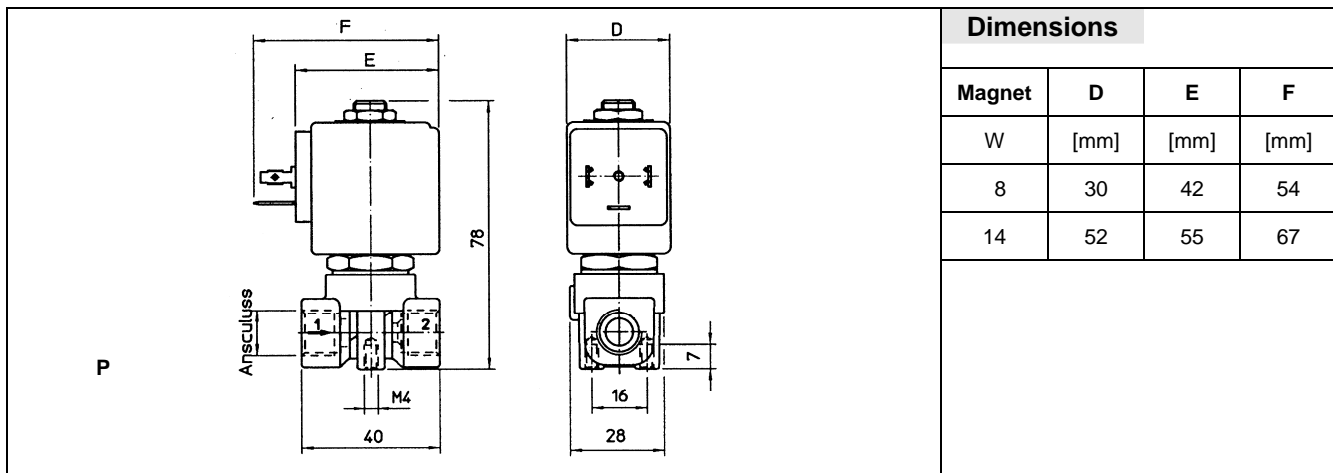
Valve	Magnet	Magnet type	Power [W]			Temperature			Degree of protection (EN 60529)
			~	=	(°C)	Class	CDF		
MV 1313	400-8223-17	BDA	8 (14)	25 (43)	14.5 (27)	155 (180)	F (H)	100%	IP65
MV 1314									
MV 1322 G	400-8024-42	BDF (optional)	8 (14)						
MV 1324 G									

Characteristics

Port ISO 228/1	Nominal diameter	Valve	Kv (l/min)	Operating pressure difference (bar)		Max permissible viscosity		
				Min.	Max.	cSt	°E	
G	(mm)	Art. No.	(l/min)	0	~	=	53	~7
					14 (30)			
					10 (25)			
					9 (25)			
1/8		Art. No.			~	=		
					3.2			
					4.0			
					3.2			
					6 (20)			

Bracketed values = with optional BDF solenoid

Dimensions [mm]



Design features

Part	Material
Body	Brass 58
Armature tube	Stainless steel AISI Series 300
Stationary armature	Stainless steel AISI Series 400
Moving armature	Stainless steel AISI Series 400
Phase displacement ring	Copper
Spring	Stainless steel AISI Series 300
Seal	Standard: FPM, Code V On request: NBR, Code B EPDM, Code E
Seat	Insert made of stainless steel AISI Series 300
Plug connector	PG 9 or PG 11
Connector conformity	ISO 4400
Electrical conformity	IEC 335
Degree of protection	IP65, EN 60529 (DIN 40050) (with connector fitted)

Magnets

Part No.	Electrical data					
	Power	Voltage		CDF	Approval	Valves
	W	AC	DC	%		
400-8223-17	8	230/50		100	CE VDE	
400-8024-01	5	24/50				
400-8024-42	8		24			
400-8012-41	8		12			
400-8110-07		110/60				

On request: 60 Hz / class H with "UL" conformity

Spare parts

Solenoid valve	Kit	Diaphragm
MV 1313 MV 1314 MV 1322 G MV 1324 G	KT130KV30-A	--

Installation

- Any mounting position
- Valve bodies have two mounting holes
- Screw connections: G (DIN EN ISO 228-1)
- Other screw connections on request
- Installation and maintenance instructions enclosed with each valve
- Spare parts and replacement solenoids (see above)

Special designs (on request)

- Cable socket with LED