



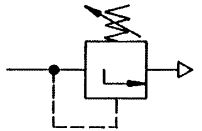
## Pressure limiting valve

Size 3

G 1/2

**491.03 to 491.10**

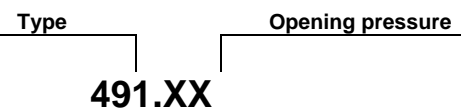
0.1 to 3.0 bar  
0.5 to 5.5 bar  
0.5 to 10.0 bar



### Characteristics

Type	491.XX
Port	G 1/2
Pressure gauge port	G 1/4
Medium	Air and non-corrosive, non-toxic gases and liquids
Type of construction	Spring-loaded, non-return diaphragm valve with adjustable opening pressure
Mounting position	Any
Input pressure p <sub>1</sub>	Max. 10 bar
Opening pressure p <sub>2</sub>	0.1 to 3.0 bar, 0.5 to 5.5 bar, 0.5 to 10.0 bar
Temperature Ambient / medium	Max. 60°C (other temperature ranges on request)
Mounting type	- Bracket kit - Panel mounting, cutout Ø20.5
Weight [g]	1300

### Ordering information



Output pressure	
XX=	Adjustment range
03	0.1 to 3.0 bar
05	0.5 to 5.5 bar
10	0.5 to 10.0 bar

### Operation

- Adjusting knob with lock nut
- Pressure gauge included
- Silencer recommended

### Materials

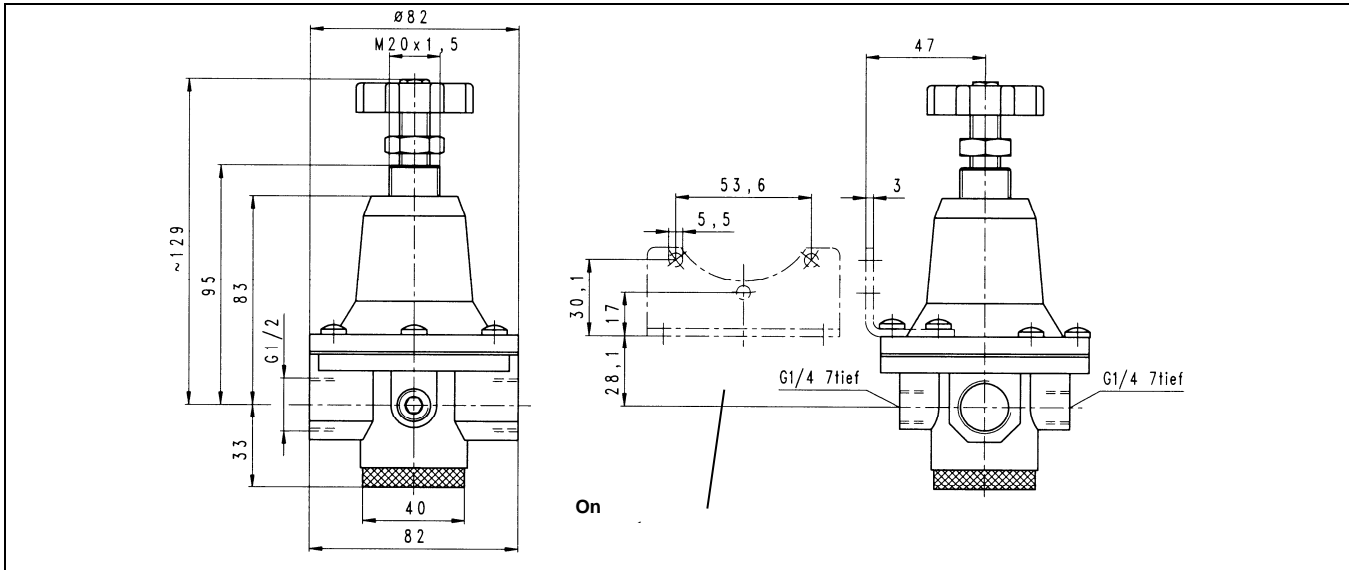
Designation	Material
Head piece	Zinc – Z 410
Spring bonnet	Zinc – Z 410
Diaphragm	NBR
Valve seat	Brass
Pressure spring	Galvanised steel
O-ring 31 x 3	NBR

### Applications

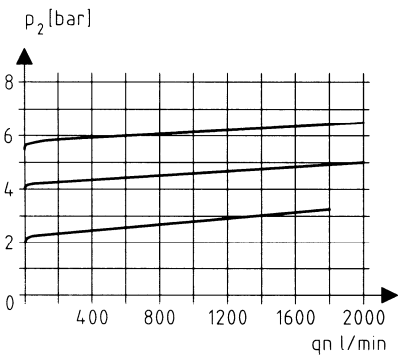
- Pressure limiting valves protect pneumatic systems against damage caused by excess pressure
- Suitable for **compressed air and non-toxic, non-flammable gases\***
- Requires a silencer to restrict noise emission

\*Also suitable for liquids

Dimensions [mm]



Relief characteristic



Accessories

Designation	Part No.
- Nut M 20 x 1.5	252 R
- Mounting bracket with nut 252 R	75/2
- Silencer G 1/2	
- Brass base	
- Flat design	569-4
- Standard	567-4/M

Main spare parts

Designation	Part No.
Repair kit, compl.	22.491.4
- Diaphragm	
- O-ring 31 x 3	

Typical application

