

Electrically driven 2-way-brass ball valve,
2-part body, full bore

EKH.EN.M.I.ROM
11-60-2e

EKH.EN.M.I.ROM

Electrically driven 2-way-brass ball valve with 2-part body,
size DN15 to DN50 for various industrial and general
applications.



Technical data

SIZE

DN15 (1/2") to DN50 (2")

NORMS

- Internal thread Rp acc. ISO 7/1
- Mounting flange acc. ISO 5211

FLOW MEDIUM

Neutral gases and fluids. For aggressive medium see material
resistance table. Medium which to an increase of operating torque
could require other actuator size.

FLOW DIRECTION

Random

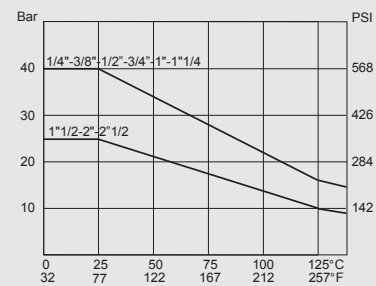
MATERIALS

- Body and thread: Brass CW617N UNI EN 12165
- Gland: Brass CW617N UNI EN 12165
- Ball, shaft: Brass CW617N UNI EN 12165
- Ball- and shaft seal: PTFE, fibreglass-reinforced

TEMPERATURE - MEDIUM

-20° to +130°C (depending on operating pressure)

DRUCK-/TEMPERATURDIAGRAMM



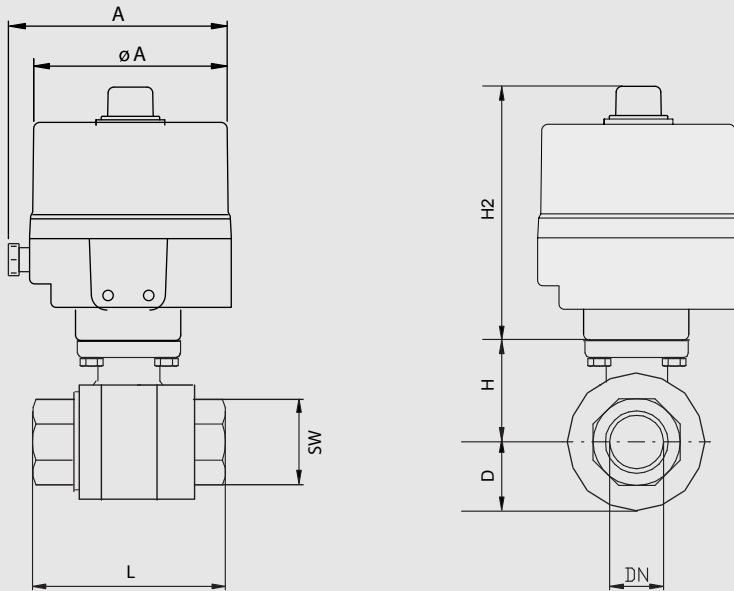
OPERATION METHOD

Electric actuator 24 AC, 24 DC or 230 AC, other voltages on request
Duty cycle of the motor = 30% ED

ACCESSORIES (Optionen)

- Potentiometer (1 KOhm)
- 4-20mA remote feedback signal
- Local control unit
- Anti-condensation heating
- Positioner

Electrically driven 2-way-brass ball valve,
 2-part body, full bore

EKH.EN.M.I.ROM
11-60-2e

TECHNICAL DATA - ACTUATOR

- Casing: Aluminium Alloy, dry powder coated
- Protection class IP67 (NEMA 4, NEMA 4X)
- Ambient temperature: -20°C to +60°C
- Humidity: 30% to 95%
- Continuous position indicator
- Manuell Override

For more technical information about the actuator see datasheet for electric actuators ROM.

Available operating voltages

	ROM & ROMpak				ROMpak only		
	12 VDC	24 VDC	110 V/1	220 V/1	220 V/3	380 V/3	440 V/3
ROM-A	✓	✓	✓	✓	✗	✗	✗
ROM-1	✓	✓	✓	✓	✗	✗	✗
ROM-2	✓	✓	✓	✓	✓	✓	✓
ROM-3	✓	✓	✓	✓	✓	✓	✓
ROM-4	✓	✓	✓	✓	✓	✓	✓

nominal width [mm]		max. press. [bar] PN	M(1) + 30% [Nm]	flange	square	Electric actuator	Dimensions [mm] and weight [kg]								Order code 230V / 50Hz
DN	Rp						L	H	H2	ØA	SW	A	D	weight	
15	1/2"	40	4,2	F03	9	ROM 1	75	38	151	106	26	152	17	2,4	350.1810R
20	3/4"	40	5,6	F03	9	ROM 1	80	40,5	151	106	32	152	20	2,5	350.1811R
25	1"	40	8,4	F03/F04	9	ROM 1	90	44	151	106	41	152	25	2,8	350.1812R
32	1 1/4"	40	9,8	F04/F05	11	ROM 1	110	55	151	106	50	152	30	3,2	350.1813R
40	1 1/2"	25	13	F04/F05	11	ROM 1	120	61,5	151	106	55	152	36	3,75	350.1814R
50	2"	25	25	F05	14	ROM 1	140	73	151	106	70	152	45	5,15	350.1815R

niminal width [mm]		max. press. [bar] PN	M(1) + 30% [Nm]	flange	square	Electric actuator	Dimensions [mm] and weight [kg]								Order code 24V DC
DN	Rp						L	H	H2	ØA	SW	A	D	weight	
15	1/2"	40	4,2	F03	9	ROM 1	75	38	151	106	26	152	17	2,4	350.2810R
20	3/4"	40	5,6	F03	9	ROM 1	80	40,5	151	106	32	152	20	2,5	350.2811R
25	1"	40	8,4	F03/F04	9	ROM 1	90	44	151	106	41	152	25	2,8	350.2812R
32	1 1/4"	40	9,8	F04/F05	11	ROM 1	110	55	151	106	50	152	30	3,2	350.2813R
40	1 1/2"	25	13	F04/F05	11	ROM 1	120	61,5	151	106	55	152	36	3,75	350.2814R
50	2"	25	25	F05	14	ROM 1	140	73	151	106	70	152	45	5,15	350.2815R

(1) Max. ball valve torque + safety factor 30% . Operating cycles, sealant and medium which to an increase of operating torque could require other actuator size.

TIME FOR 90° - ROTATIONAL MOTION

actuator	time [sec.]	
	AC / 50Hz	DC
ROM 1	13	15