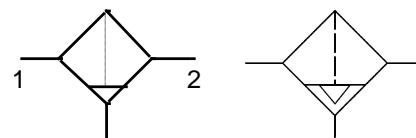



**Fine filter (micro-filter)**
**Size 1**

FU 871 FU 881	FU 872 FU 882
G 1/4	G 3/8

**0.01 µm**

**Description**

**Micro-filter** used as a **fine filter** for separating oil, water and solid impurities **>0.01 µm**.  
**Installation of an upstream pre-filter is recommended (Sheet 1-35-1).**

**Characteristics**

Type	FU 871 (Semi a.)	FU 881 (Fully a.)	FU 872 (Semi a.)	FU 882 (Fully a.)
Port (thread)	G 1/4		G 3/8	
Type of construction	Fine filter			
Medium	Compressed air, neutral gases			
Mounting position	Vertical			
Temperature Medium / ambient	Max. 50 °C			
Input pressure Pin - With semi-automatic drain - With automatic drain - With manual drain	Min. 1.5 bar Min. 1.5 bar Max. 16 bar			
Filter rating	Pore size 0.01 µm			
Dust separation	> 0.01 µm 99.999 %			
Residual oil content	< 0.01 mg/m <sup>3</sup>			
Bowl capacity	12 cm <sup>3</sup>			
Condensate drain	Semi-automatic ( <b>standard</b> ) / fully automatic – pressureless exhaust			
Flow direction	From the inside to the outside			
Mounting type	Bracket, wall mounting			

**Materials**

Part	Material
Head piece	PA66 GF60
Bowl	Polycarbonate
Cover	Schulaform®
Bowl guard	Polyamide
Metal bowl	Die-cast zinc
O-rings	NBR
Filter element	Borosilicate / Al
Threaded plate	Die-cast zinc

**Ordering information**

- The filters are delivered in single packs
- Ordering code for metal bowl with “-M”  
 Example: FU 871-M

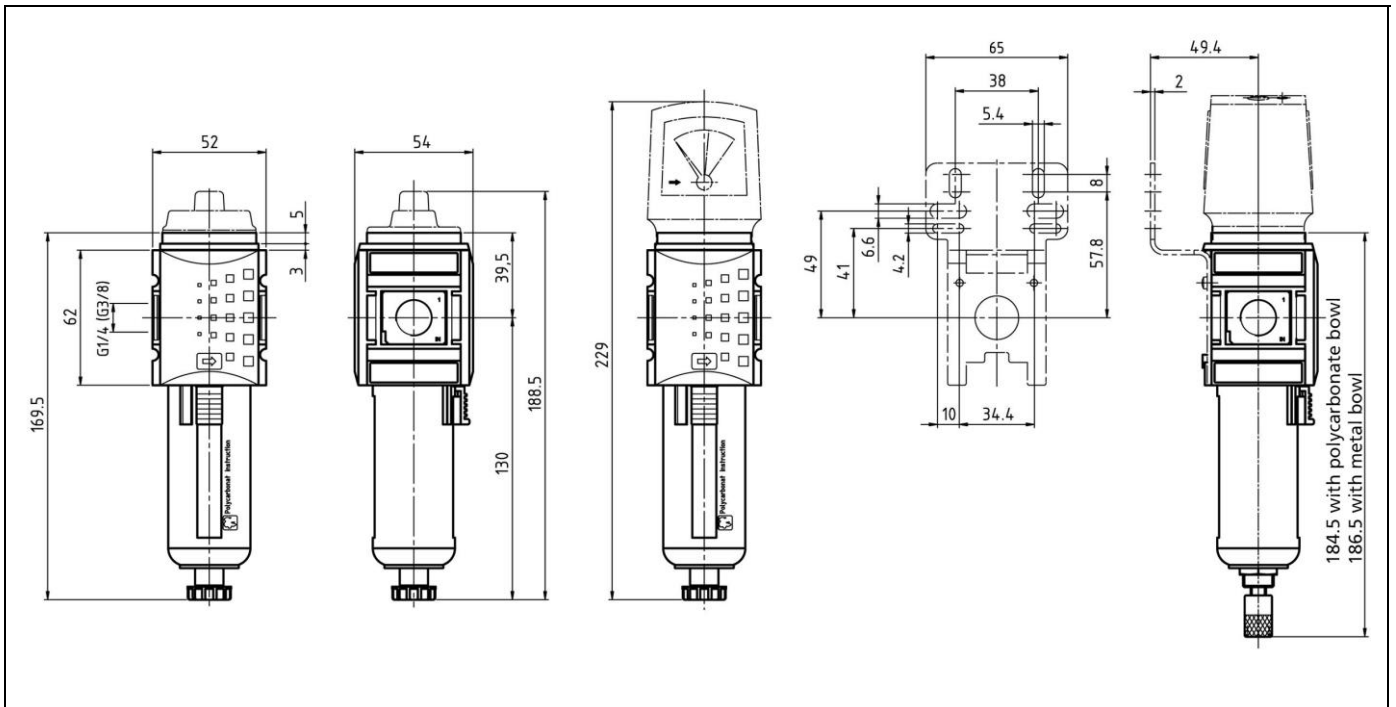
**Accessories**

Designation	Art. No.
Mounting bracket, incl. screws	H 850
Joiner set with wall bracket	WK 100
Joiner set	KP 100
Polycarbonate bowl with bowl guard / filter	BSF 14
Polycarb. bowl with fully autom. drain valve	BSF 14-A
Metal bowl / filter	MF 14
Metal bowl with fully automatic drain valve	MF 14-A
Differential pressure indicator	DAF 1
Differential pressure gauge	DM 34
Wall bracket with connection thread G 1/4	WK 101-14
Wall bracket with connection thread G 3/8	WK 101-38

**Spare parts**

Designation	Art. No.
Filter element (semi-automatic drain valve)	M 23/70
Filter element (fully automatic drain valve)	M 23/41
Automatic drain valve	655.6.900

**Dimensions**



**Flow rates**

**Flow characteristic**

