



Micro-filters

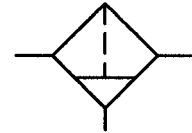
Size 2

VM 24 | **VM 25** | **VM 26**

G 1/2 | G 3/4

0.01 µm

Residual oil content 0.01 mg/m³



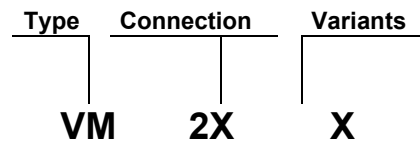
Characteristics

Type	VM 24	VM 25	VM 26
Connection	G 1/2	G 3/4	G 1
Type of construction	Fine filter with borosilicate micro-fibre fleece		
Particle separation Residual oil content ISO 8573-1	99,999% referred to 0,01 µm 0,01 mg/m ³ Particulates – Class 1 / Oil - Class 1		
Input pressure p ₁	max. 16 bar with plastic tank max. 20 bar with metal tank		
Input pressure p ₁ with automatic draining	max. 16 bar min. 4 bar		
Mounting position	Vertical, drain plug at bottom		
Mounting type	Bracket		
Medium temperature Ambient temperature	max. 50 °C		
Medium temperature (metal) Ambient temperature (metal)	max. 80 °C		
Pore diameter in the filter element	0.01 µm		
Tank capacity	max. 30 cm ³ condensate		
Condensate draining	Manual, fully automatic		
Weight [g]	870 (G 1 with connection plates)		

Materials

Part	Material
Head piece (housing)	Z 410
O-ring	NBR
Filter element 0.01 µm	Borosilicate
Condensate tank	Polycarbonate
Front plates	ABS

Ordering information

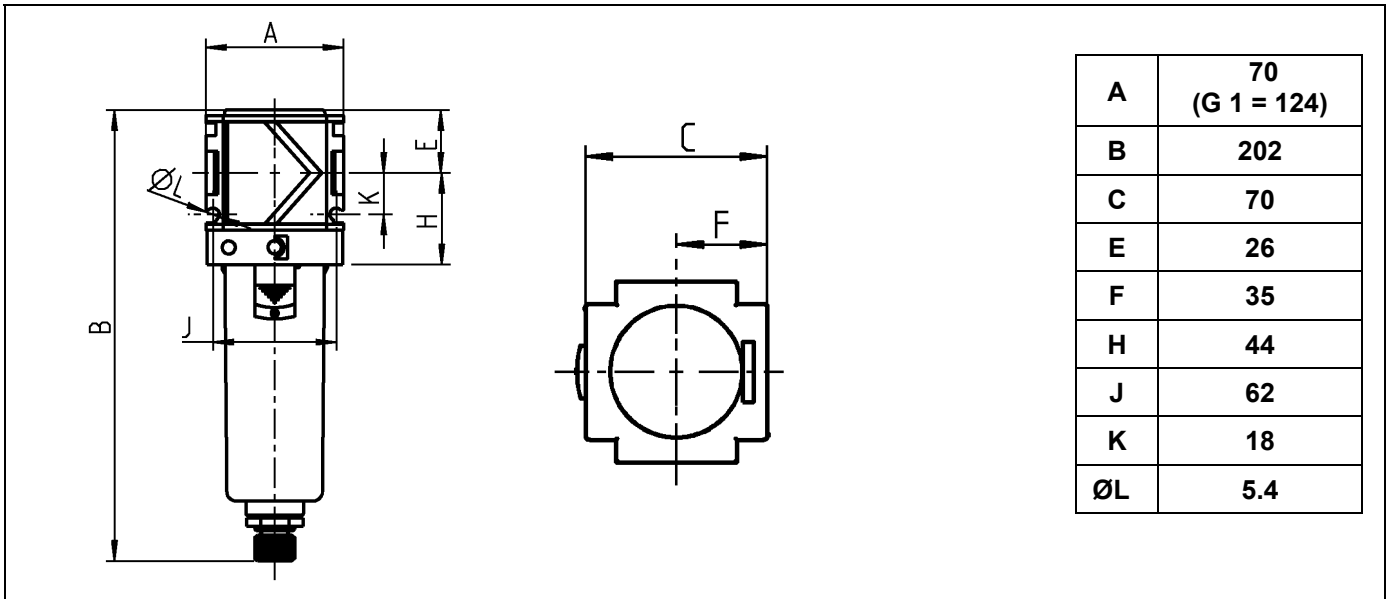


Connection	
X = 2	G 1/2
X = 3	G 3/4
Variants	
X = S	Bowl guard
X = M	Metal bowl
Order example: VM 24 M	
Please use the suffix »A« to order automatic draining	
Description	
- Block design - Flow direction indicated by arrows on front plate	

Accessories

Fixing bracket	VZ 719
Plastic tank	VZ 502
Metal tank	VZ 552
Automatic drain valve	65/0
Compact connecting set 1/2	VZ 103
Compact connecting set 3/4	VZ 104
Tee holder (sep.) 1/2 / 3/4 / 1	VZ 302
Compact conn. set, incl. tee holder (wall mounting) 1/2	VZ 203
Compact conn. set, incl. tee holder (wall mounting) 3/4	VZ 204

Dimensions [mm]



© Riegler 1-33

VM 24

VM 25

VM 26

VM 26

Main spare parts

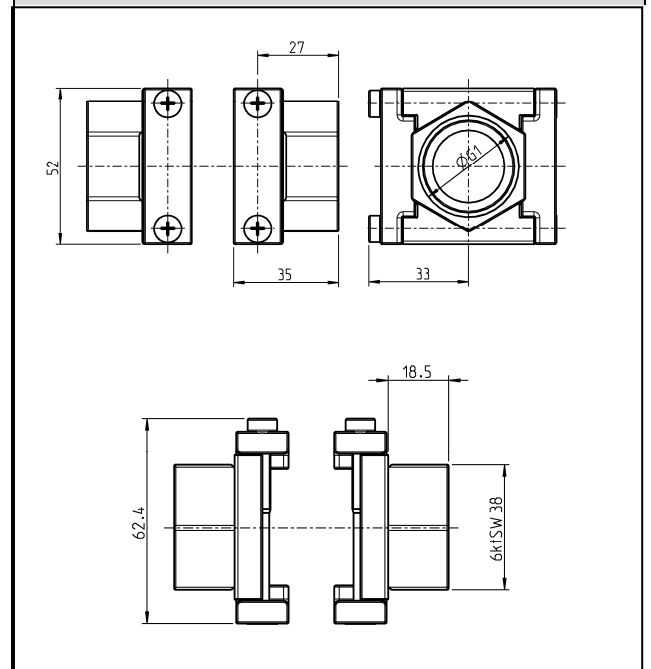
Part	Part No.
Filter element 0.01 µm	VZ 762

Flow rates

Output pressure p ₂		G 1/2	G 3/4 - G 1
Nominal flow*	QN [m ³ /h] [l/min]	1000	1100

*Measured at 6 bar input pressure p₁ and pressure drop Δ 1 bar

Connection plates G 1



© Riegler 1-33

Interlocking / mounting

Variobloc

Size 1 G 1/4

Fixing bracket and fixing nut	
Fixing bracket and two screws	
Compact connecting set	
Compact conn. set, incl. tee holder	
Comfort connecting set	

Size 1 G 3/8

Fixing bracket and fixing nut	
Fixing bracket and two screws	
Compact connecting set	
Compact conn. set, incl. tee holder	
Comfort connecting set	

Size 2 G 1/2

Fixing bracket and fixing nut	630/2-B
Fixing bracket and two screws	VZ 719
Compact connecting set	VZ 103
Compact conn. set, incl. tee holder	VZ 203
Comfort connecting set	--

Size 2 G 3/4

Fixing bracket and fixing nut	630/2-B
Fixing bracket and two screws	VZ 719
Compact connecting set	VZ 104
Compact conn. set, incl. tee holder	VZ 204
Comfort connecting set	--

