

»GA« Series

GAF 11–GAF 55 A

Symbol



Product features

Centrifugal separators with a sintered filter element

Specifications / Technical data

Type	Size 300			Size 400		Size 600	
	GAF 11, GAF 11 A	GAF 12, GAF 12 A	GAF 13, GAF 13 A	GAF 32, GAF 32 A	GAF 33, GAF 33 A	GAF 34, GAF 34 A	GAF 55, GAF 55 A
Fluid	Luft						
Port size	1/4"	3/8"	1/2"	3/8"	1/2"	3/4"	1"
Filtering grade	5 µm (40 µm on request)						
Pressure range	1.5 to 9 bar (0.15 to 0.9 MPa, 20 to 130 psi)						
Inlet pressure max.	10 bar (1,0 MPa, 145 psi)						
Temperature range	-5 to 70 °C						
Capacity of drain bowl	60 cm ³			100 cm ³		205 cm ³	
Weight	360 g			640 g		1040 g	

Ordering information

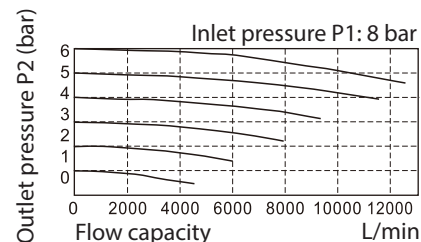
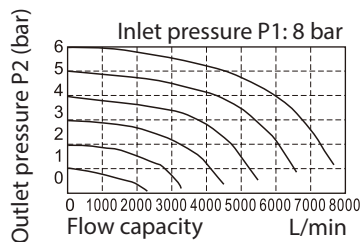
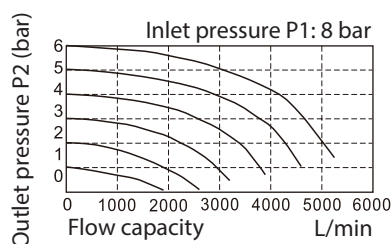
Type	description
GAF 11–GAF 13, GAF 32, GAF 33	Filters with polycarbonate bowl, bowl guard and »HW« mounting bracket, semi-automatic drain valve
GAF 34, GAF 35	Filters with metal bowl, sight glass and »HW« mounting bracket, semi automatic drain valve
GAF 11 A–GAF 13 A, GAF 32 A, GAF 33 A	Filters with polycarbonate bowl, bowl guard and »HW« mounting bracket, fully-automatic drain valve
GAF 34 A, GAF 35 A	Filters with metal bowl sight glass and »HW« mounting bracket, fully-automatic drain valve

Flow chart

GAF 12*, GAF 13, GAF 12 A, GAF 13 A

GAF 32, GAF 33, GAF 32 A, GAF 33 A

GAF 34, GAF 55, GAF 34 A, GAF 55 A



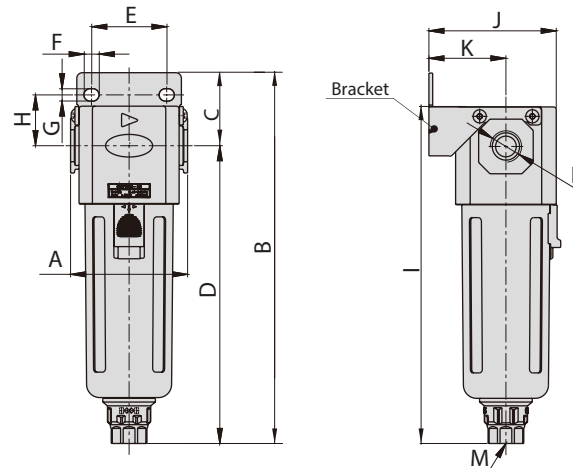
* Flow rates GAF 11, GAF 11 A approx 14 % less

»GA« Series

GAF 11–GAF 55 A

Body dimensions

GAF 11–GAF 33, GAF 11 A–GAF 33 A



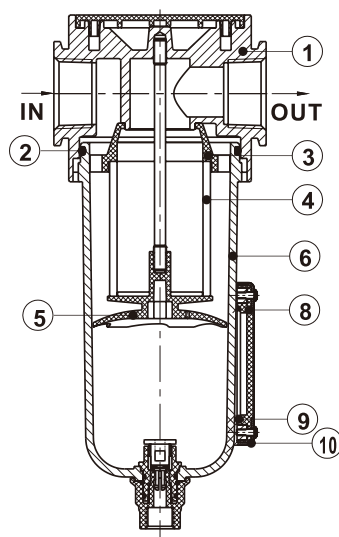
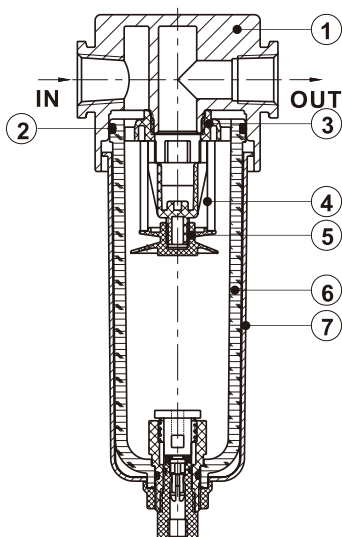
Art. No.	Type	A	B	C	D	E	F	G	H	I	J	K	L	M
178456, 178461	GAF 11, GAF 11 A	62,5	197,0	39,0	158,0	40,0	8,0	6,5	27,0	179,0	67,5	41,0	1/4"	G1/4
178457, 178462	GAF 12, GAF 12 A	62,5	197,0	39,0	158,0	40,0	8,0	6,5	27,0	179,0	67,5	41,0	3/8"	G1/4
178458, 178463	GAF 13, GAF 13 A	62,5	197,0	39,0	158,0	40,0	8,0	6,5	27,0	179,0	67,5	41,0	1/2"	G1/4
178459, 178464	GAF 32, GAF 32 A	80,0	220,0	42,5	177,5	55,0	11,0	8,5	33,5	202,5	84,0	50,0	3/8"	G1/4
178460, 178465	GAF 33, GAF 33 A	80,0	220,0	42,5	177,5	55,0	11,0	8,5	33,5	202,5	84,0	50,0	1/2"	G1/4
178466, 178468	GAF 34, GAF 34 A	100,0	266,0	61,0	205,0	66,0	13,0	11,0	50,0	242,0	113,0	70,0	3/4"	G1/4
178467, 178469	GAF 55, GAF 55 A	100,0	266,0	61,0	205,0	66,0	13,0	11,0	50,0	242,0	113,0	70,0	3/4"	G1/4
(Values in mm, exception M = inch)														

»GA« Series

GAF 11–GAF 55 A

Components and materials






Nr.	Bauteil	Material
1	Body	Aluminum alloy
2	O-Ring	NBR
3	Air guide	POM
4	Filter core	HDPE
5	Umbrella baffle	POM
6	Drain bowl	Aluminum alloy (GAF 34, GAF 55 A) / PC (GAF 11 – 33A)
7	Meter cover	DC01
8	Liquid meter inside cover	PC
9	Liquid meter seal	FKM
10	Liquid meter cover	DC01



Serie »GA«

GAF 11–GAF 55 A

Accessories

	Für GAF 11–GAF 13 und GAF 11 A–GAF 13 A		Für GAF 32, GAF 33, GAF 32 A und GAF 33 A		Für GAF 34, GAF 55, GAF 34 A und GAF 55 A		description
	Art. No.	Type	Art. No.	Type	Art. No.	Type	
	179146	GAF 11 400	179144	GAF 32 400	179143	GAF 34 400	Filterelement 5 µm
	179148	HW 301-A	116485	HW 401	116487	HW 601	Haltewinkel inkl. 4 Schrauben
	116613	UB 300	116614	UB 400	116615	UB 600	Verbindungselement ohne Wandbefestigung
	116516	LB 300	116517	LB 400	116518	LB 600	Verbindungselement mit Wandbefestigung, 1 Bohrung
	116609	TB 300	116610	TB 400	116611	TB 600	Verbindungselement mit Wandbefestigung, 2 Bohrungen, im Lieferumfang enthalten