

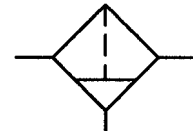


Pre-filter

PN 16

429.5102 to 429.2612

3 μm
Efficiency 99.99%



Description

- Filter element made of borosilicate microfiber fabric with stainless steel support body and polyester needle felt drainage layer
- Filter rating 3 μm
- **Efficiency 99.99%**
- Resistance: Fuels, acids and alkaline solutions (remember to take account of the resistance of polyethylene)
- **Particle separation: 3 μm**
- **Moisture separation**
- Pre-filter for connection upstream of a micro-filter and a micro-filter / activated carbon filter
- Optionally with a differential pressure gauge
- Automatic drain as standard
- Regeneration by brushing or blowing out

Applications

- All applications where standard centrifugal filters with a sintered element do not afford the desired efficiency.
- Part of a modular system that **also includes** a micro-filter and an activated carbon filter, this device belongs to a homogeneous product family that is suitable for a wide variety of applications, from technically clean compressed air for tools through process air to odourless respiratory air in spray booths.
- The differential pressure gauge indicates the pressure drop Δp inside the filter.

Operating principle

- Flow direction (inside the element) **from the inside to the outside**.
- The element functions according to the deep-bed filtration principle (coalescence effect). The large filter surface facilitates a long service life.
- The (optional) differential pressure gauge indicates the degree of contamination of the element as a function of the pressure drop.

Cleaning / element replacement

At the latest when the pressure drop is 0.6 bar, i.e. **when the pressure gauge scale shows a value in the red sector**.

Regeneration by brushing or blowing out.

Materials

Part	Material
Head piece	Al
Filter bowl	Al
Filter element	Borosilicate microfiber fabric, stainless steel support body
O-rings	NBR

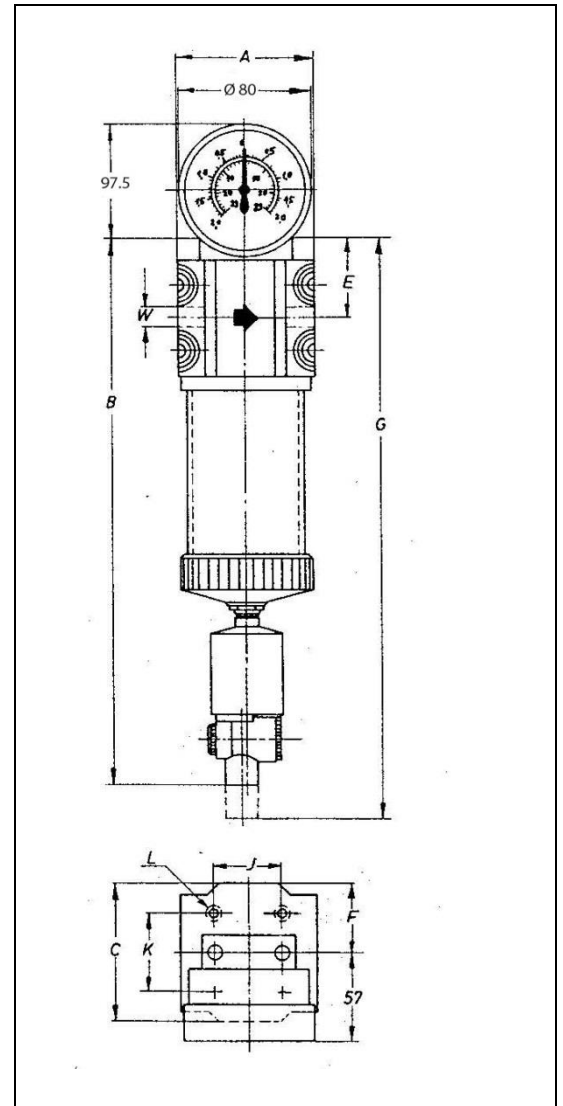
Characteristics

Order No. (1)	Port (thread) G	Size	Accessories			
			Filter element	Con- nectors	Mounting kit	Differential pressure gauge
429.2102	1/4	1	429/52	429/29	429/25	5429.10
429.2104	3/8					
429.2106	1/2					
429.2208	3/4	2	429/56	429/33	429/27	
429.2309	1	3	429/58			
429.2410	1¼	4	429/59			
429.2511	1½	5	429/61			
429.2612	2	6	429/62			
General						
Operating pressure: Max.		12 bar				
- With automatic drain		Min. 4 bar				
- With manual drain valve		Min. 0 bar				
Operating temperature:		5°C to 60°C				
Port: ISO 228		G 1/4 to G 2 standard; G 2½ and G 3 on request				
Indicating range of diff. pressure gauge		0 to 2 bar (0 to 29 lb/in ²)				
Mounting position		Vertical				
Flow direction		Indicated by arrow				

(1) The first digit after the point is **5** instead of **2** for pre-filters without a differential pressure gauge.

Order example:

Pre-filter G 1/4 without differential pressure gauge: 429.5102



Dimensions [mm]

Size	Port	Dimensions					Space needed for element replacement G	Mounting			Weight incl. pr.gauge [g]	
		A	B	C	E	F		J	K	L		
1	G 1/4 / 3/8 / 1/2	83	335	83	57	41.5	410	40	48	M 6	2100	
2	G 3/4		405									2100
3	G 1		420									4700
4	G 1¼	118	520	118	72	59	730	70	80	M 8	5000	
5	G 1½		620									5500
6	G 2		810									6140

Flow rates

Flow rate at pressure drop $\Delta p = 0.5\%$	Size	Pressure [bar]								
		2	4	6	8	10	12	14	16	
m ³ /h	1	26	43	60	77	94	111	129	145	
	2	51	86	120	154	189	223	257	291	
	3	77	129	180	231	283	334	386	437	
	4	137	229	320	411	503	594	686	777	
	5	214	357	500	643	786	929	1071	1214	
	6	343	571	800	1029	1257	1486	1714	1943	