

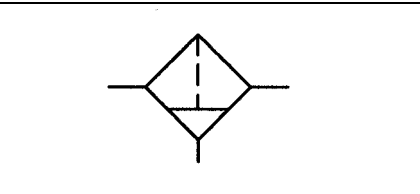


## Filter

Size 3

<b>650 D</b>	<b>650 E</b>
G 3/4 (red.)	G 1

5 µm



### Characteristics

Type	650 D	650 E
Port	G 3/4 (reduced)	G 1
Type of construction	Centrifugal filter Sintered filter element  Special versions on request	
Input pressure p <sub>1</sub>	Max. 16 bar with plastic bowl Max. 25 bar with metal bowl	
Input pressure p <sub>1</sub> with fully-automatic drain	Max. 16 bar Min. 1.5 bar	
Mounting position	Vertical, drain plug at bottom	
Mounting type	Bracket	
Medium temperature	max. 60 °C (andere Temperatur-	
Ambient temperature	max. 60 °C bereiche auf Anfrage)	
Filter rating	5 µm	
Bowl capacity	Max. 65 cm <sup>3</sup> condensate	
Condensate drain	Manual, semi-automatic Fully-automatic on request	
Weight [g]	1050	

### Ordering information



Port	
<b>D</b>	G 3/4
<b>E</b>	G 1
Options	
<b>K-HA</b>	Plastic bowl
<b>M</b>	Metal bowl
<b>S</b>	Bowl guard

Please use the suffix **A**« to order fully-automatic drain

**Order example: 650 E/K-HA**

### Description

- Standard design
- Flow direction indicated by arrows
- Entry in direction of arrow
- Filter rating acc. to ISO 4003, glass bead test

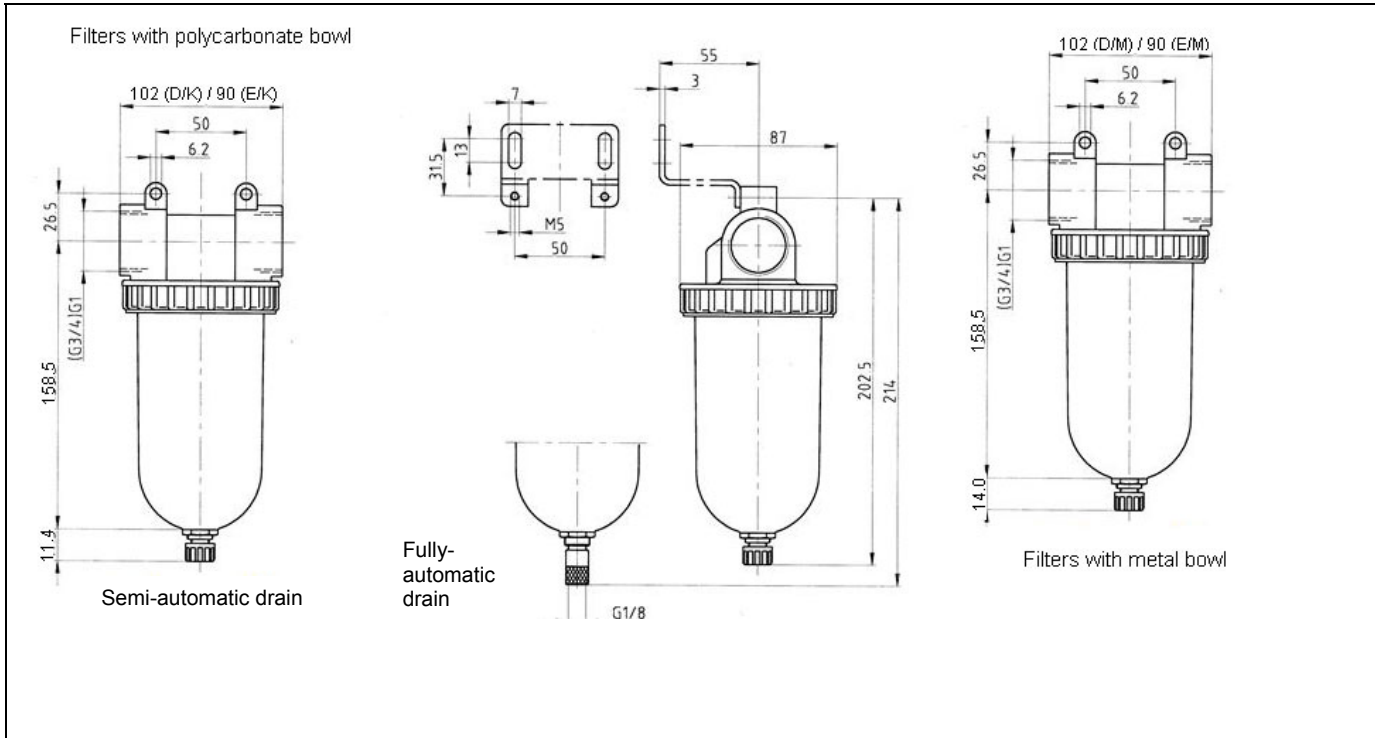
### Materials

Part	Material
Head piece (body)	Z 410
O-ring 68 x 3	NBR
Filter element 5 µm	Polyethylene
Filter element 8 µm	Bronze (sintered)
Filter element 40 µm	Bronze (sintered)
Condensate bowl	Polycarbonate
Air deflector	PS
Baffle	PA

### Accessories

Designation	Order No.
Mounting bracket	H 801
Filter element 5 µm	633.6.905
40 µm	653.6.940
8 µm	653.6.908
Plastic bowl	650/2-HA
Metal bowl	650/12
Bowl guard, incl. threaded ring	SK 03
Fully-automatic drain (external)	65/0-N
Fully-automatic drain (internal)	655.6.900

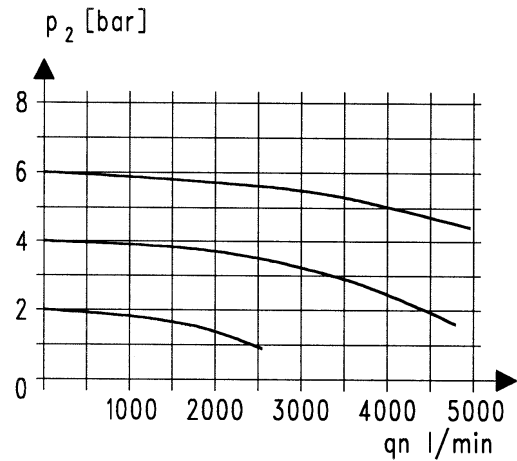
Dimensions [mm]



Flow rates

Output pressure $p_2$		6
Nominal flow ( $\Delta p = 1$ bar)	QN $m^3/h$	240
	QN $l/min$	4000

Flow characteristic



Main spare parts

Part	Part No.
Filter element 5 $\mu m$	633.6.905